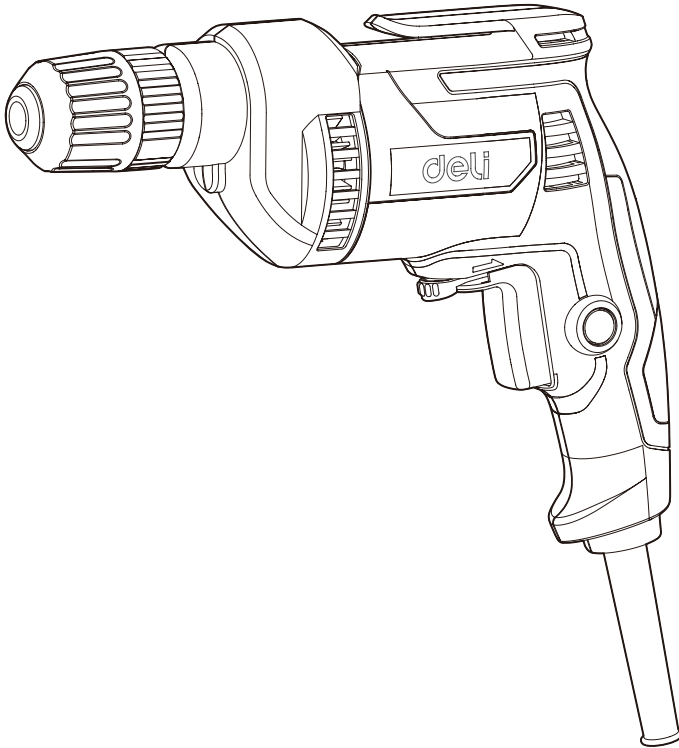


deli

DE-DZ10-1E DE-DZ10-1G
DE-DZ10-2E DE-DZ10-2G



EN Electric drill
DE Elektrische Bohrmaschine
FR Perceuse électrique
ES Taladro eléctrico

PT Berbequim eléctrico
RU Электрическая дрель
AR مثقاب كهربائي

















Specifications

Model		DE-DZ10-1E	DE-DZ10-1G	DE-DZ10-2E	DE-DZ10-2G
Rated voltage/frequency		220-240V~ 50/60Hz			
Rated input power		500W			
No-load speed		0-3300/min			
Maximum chuck capacity		10mm			
Chuck type		keyless		key	
Maximum drilling capacity	Wood	25mm			
	Steel	10mm			
Safety class		□/II			
Machine weight		1.3kg			

- The manufacturer reserves the right to change the specifications without notice.
- Specifications may differ from country to country.

It is recommended to select the accessories from the store the power tool is bought. Please select the correct accessories required for your job. Please refer to the accessories package to get more methods and help for use.

Symbols

 Read the manual	 Warning sign	 Double insulation	 Please wear protective glasses
 Please wear protective earmuffs	 Please wear protective glasses	 Please wear protective mask	 Do not put it into the water
 Wood	 Screwdriver	 Low speed	 Do not put it into the fire
 Metal	 Drill hole	 High speed	 Lock

ORIGINAL INSTRUCTIONS

General power tool safety warnings

WARNING Read all safety warnings, instructions, illustrations and specifications provided with this power tool. Failure to follow all instructions listed below may result in electric shock, fire and/or serious injury.

Save all warnings and instructions for future reference. The term "power tool" in the warnings refers to your mains-operated (corded) power tool or battery-operated (cordless) power tool.

Work area safety

1. **Keep work area clean and well lit.** Cluttered or dark areas invite accidents.
2. **Do not operate power tools in explosive atmospheres, such as in the presence of flammable liquids, gases or dust.** Power tools create sparks which may ignite the dust/fumes.
3. **Keep children and bystanders away while operating a power tool.** Distractions can cause you to lose control.

Electrical safety

1. **Power tool plugs must match the outlet. Never modify the plug in any way. Do not use any adapter plugs with earthed (grounded) power tools.** Unmodified plugs and matching outlets will reduce risk of electric shock.

2. Avoid body contact with earthed or grounded surfaces, such as pipes, radiators, ranges and refrigerators.

There is an increased risk of electric shock if your body is earthed or grounded.

3. Do not expose power tools to rain or wet conditions. Water entering a power tool will increase the risk of electric shock.

4. Do not abuse the cord. Never use the cord for carrying, pulling or unplugging the power tool. Keep cord away from heat, oil, sharp edges or moving parts.

Damaged or entangled cords increase the risk of electric shock.

5. When operating a power tool outdoors, use an extension cord suitable for outdoor use. Use of a cord suitable for outdoor use reduces the risk of electric shock.

6. If operating a power tool in a damp location is unavoidable, use a residual current device (RCD) protected supply. Use of an RCD reduces the risk of electric shock.

Personal safety

1. Stay alert, watch what you are doing and use common sense when operating a power tool. Do not use a power tool while you are tired or under the influence of drugs, alcohol or medication. A moment of inattention while operating power tools may result in serious personal injury.

2. Use personal protective equipment. Always wear eye protection. Protective equipment such as a dust mask, non-skid safety shoes, hard hat or hearing protection used for appropriate conditions will reduce personal injuries.

3. Prevent unintentional starting. Ensure the switch is in the off-position before connecting to power source and/or battery pack, picking up or carrying the tool. Carrying power tools with your finger on the switch or energising power tools that have the switch on invites accidents.

4. Remove any adjusting key or wrench before turning the power tool on. A wrench or a key left attached to a rotating part of the power tool may result in personal injury.

5. Do not overreach. Keep proper footing and balance at all times. This enables better control of the power tool in unexpected situations.

6. Dress properly. Do not wear loose clothing or jewellery. Keep your hair and clothing away from moving parts. Loose clothes, jewellery or long hair can be caught in moving parts.

7. If devices are provided for the connection of dust extraction and collection facilities, ensure these are connected and properly used. Use of dust collection can reduce dust-related hazards.

8. Do not let familiarity gained from frequent use of tools allow you to become complacent and ignore tool safety principles. A careless action can cause severe injury within a fraction of a second.

Power tool use and care

1. Do not force the power tool. Use the correct power tool for your application.

The correct power tool will do the job better and safer at the rate for which it was designed.

2. Do not use the power tool if the switch does not turn it on and off. Any power tool that cannot be controlled with the switch is dangerous and must be repaired.

3. Disconnect the plug from the power source and/or remove the battery pack, if detachable, from the power tool before making any adjustments, changing accessories, or storing power tools. Such preventive safety measures reduce the risk of starting the power tool accidentally.

4. Store idle power tools out of the reach of children and do not allow persons unfamiliar with the power tool or these instructions to operate the power tool.

Power tools are dangerous in the hands of untrained users.

5. Maintain power tools and accessories. Check for misalignment or binding of moving parts, breakage of parts and any other condition that may affect the power tool's operation. If damaged, have the power tool repaired before use. Many accidents are caused by poorly maintained power tools.

6. Keep cutting tools sharp and clean. Properly maintained cutting tools with sharp cutting edges are less likely to bind and are easier to control.

7. Use the power tool, accessories and tool bits etc. in accordance with these instructions, taking into account the working conditions and the work to be performed. Use of the power tool for operations different from those intended could result in a hazardous situation.

8. Keep handles and grasping surfaces dry, clean and free from oil and grease. Slippery handles and grasping surfaces do not allow for safe handling and control of the tool in unexpected situations.

Service

1. **Have your power tool serviced by a qualified repair person using only identical replacement parts.** This will ensure that the safety of the power tool is maintained.

Additional safety instructions for Drill

General

Hold the power tool by insulated gripping surfaces, when performing an operation where the cutting accessory may contact hidden wiring or its own cord. Cutting

accessory contacting a "live" wire may make exposed metal parts of the power tool "live" and could give the operator an electric shock.

Safety instructions when using long drill bits

1. **Never operate at higher speed than the maximum speed rating of the drill bit.** At higher speeds, the bit is likely to bend if allowed to rotate freely without contacting the workpiece, resulting in personal injury.
2. Always start drilling at low speed and with the bit tip in contact with the workpiece.
At higher speeds, the bit is likely to bend if allowed to rotate freely without contacting the workpiece, resulting in personal injury.
3. Apply pressure only in direct line with the bit and do not apply excessive pressure. Bits can bend causing breakage or loss of control, resulting in personal injury

Noise/vibration information

Noise emission values determined according to EN 62841-2-1.

Typically, the A-weighted noise level of the power tool is: Sound pressure level 83 dB(A); sound power level

94 dB(A). Uncertainty K = 5 dB.

Wear hearing protection!

Vibration total values a_h (triax vector sum) and uncertainty K determined according to EN 62841-2-1:

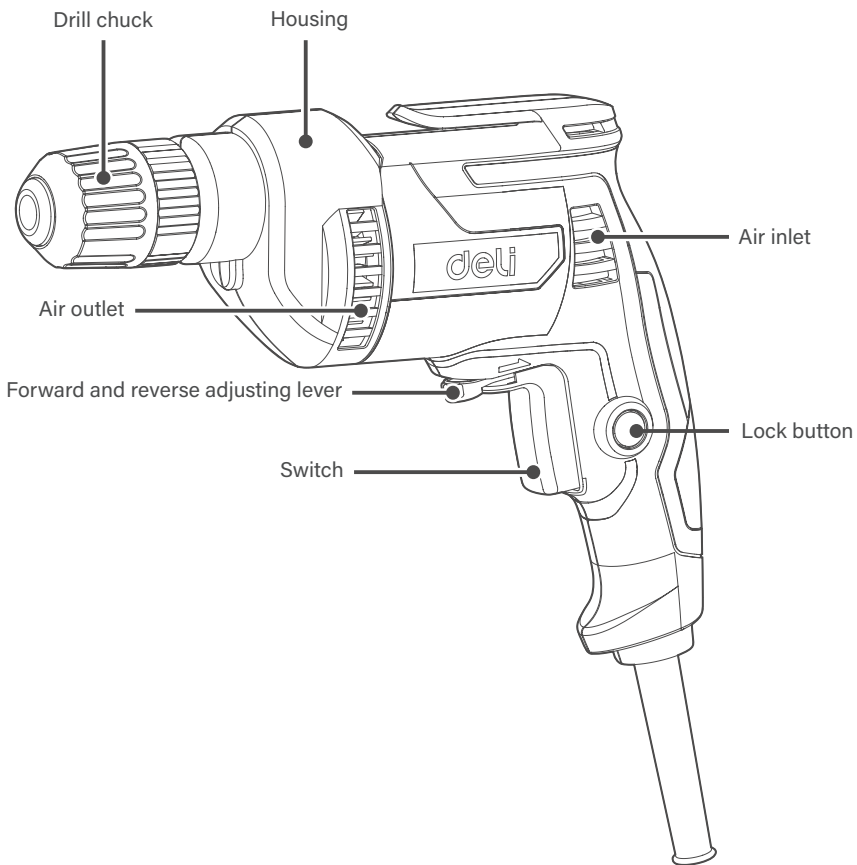
Drilling in metal: $a_h = 7.0 \text{ m/s}^2$, $K = 1.5 \text{ m/s}^2$

The vibration level and noise emission value given in these instructions have been measured in accordance with a standardised measuring procedure and may be used to compare power tools. They may also be used for a preliminary estimation of vibration and noise emissions.

The stated vibration level and noise emission value represent the main applications of the power tool. However, if the power tool is used for other applications, with different application tools or is poorly maintained, the vibration level and noise

emission value may differ. This may significantly increase the vibration and noise emissions over the total working period.

To estimate vibration and noise emissions accurately, the times when the tool is switched off or when it is running but not actually being used should also be taken into account. This may significantly reduce vibration and noise emissions over the total working period. Implement additional safety measures to protect the operator from the effects of vibration, such as servicing the power tool and application tools, keeping their hands warm, and organising workflows correctly.



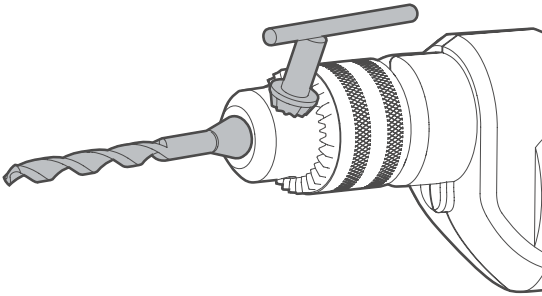
Operation Instructions

WARNING: Read the manual carefully before operation

Application: This drill is applicable for tightening and loosening screws as well as drilling in wood, metal and plastic.

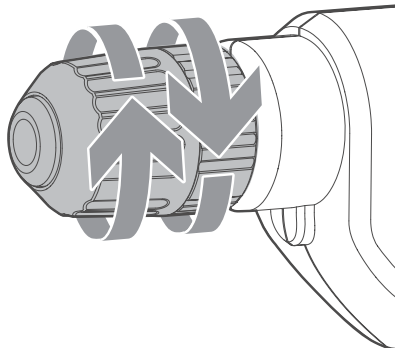
1 Insert the tool into the chuck

Insert the tool and tighten all 3 holes evenly with the chuck opening key. (for chucks with keys only).



2 Keyless chuck

Hold the rear axle ring of the keyless chuck and rotate the front one until the chuck is open enough to insert the tool. Insert the tool into the chuck. Hold the rear axle ring and manually rotate the front one until it is tightened. When the front axle ring is rotated in the opposite direction to remove the tool, the lock mechanism releases automatically.



3 Switch button

Press the button to start the tool and release it for stopping.

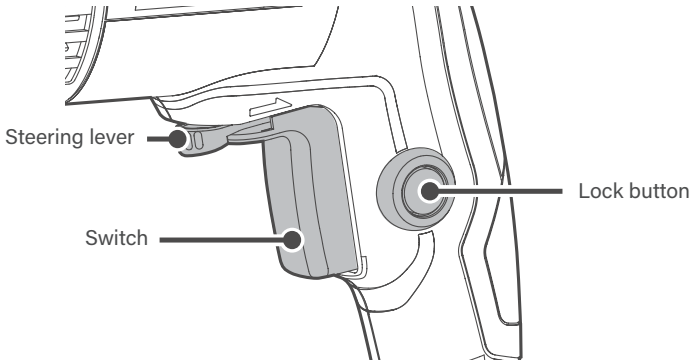
Switch lock-on button

Until on: Press the switch button, then press the lock-on button to lock and then the drill can be used continuously.

Off: Simply press and release the switch button to stop the tool.

Steering lever

The right shift of the steering lever indicates the forward rotation, and its left shift indicates the reverse rotation. Do not change the rotation direction during the rotation of the tool until it stops.



4 Variable speed control

Press the switch button to accelerate or decelerate depending on the material and accessories to be used (this can also be done during no-load operation). A higher speed will produce less torque and vice versa.

5 Tips for drilling operation

If the power tool is overheated, set the speed to maximum and idle run for 2-3 minutes to cool the motor.

During drilling in metal, only high-speed steel bits in good condition shall be used.

During using of short screwdriver bit, be sure to use magnetic drill sleeve.

Guide holes shall be used as much as possible before drilling larger diameter holes in metal materials.

Maintenance

⚠ Warning! Before performing any replacement work on the machine, be sure to pull out the plug first.

This power tool can maintain normal operation without applying lubricating oil or special maintenance. Please perform simple maintenance of the drill according to the following requirements.

1. Clean the machine with dry rag after use. Attention: Never use water or chemical cleaning agent to clean the machine, so as not to affect the performance of the machine enclosure or cause electric leakage and other accidents.
2. Always keep the air inlet of the motor clean and unobstructed to prevent debris from accumulating at the air inlet and affecting the cooling of the motor.
3. For power tools with type Y attachment: instruction that, if the replacement of the supply cord is necessary, this has to be done by the manufacturer or his agent in order to avoid a safety hazard.

In addition, try not to use it in dusty environment. If the power cord is damaged, in order to avoid danger, it must be replaced by the manufacturer, authorized maintenance center or equivalent qualified professionals.

Environmental protection



Disposal of waste

In order to respond to environmental protection, damaged machines, accessories and packaging materials must be sorted carefully for easy recycling. In order to facilitate sorting and recycling, all plastic parts are marked with materials.

Product Warranty Card

Dear users :

Thank you for buying our products. In order to ensure your profit, users who buy our products can contact local distributor or Specified repair stations with invoice and warranty cards if the product failures due to quality problems.

Warranty Notice:

1. From _____ (Year/Month/Day) to _____ (Year/Month/Day), If the failure happen in normal use, our company will provide free warranty, parts replacement and other services according to the failure situation.
2. This warranty card and purchase invoice are the voucher of after-sales service provided by our company to customers. The card must be detailed only after filling in the following form and affixing the official seal with the distributor.
3. In one of the following cases, free warranty service will be invalid, and maintenance fees will be required:
 - (1) Exceed the expiration date.
 - (2) Failure or damage caused by not following the requirements of the product manual, maintenance or improper storage.
 - (3) Failure or damage caused by disassembling, repairing or modication of the product without the permission of our company.
 - (4) Machine breakdown or damage caused by force majeure.
 - (5) Consumable accessories.

This card is issued with the product. One card for one machine, to ensure that you can fully enjoy the right to free warranty service provided by the company, please keep this card properly, lost will not be replaced.

Purchase Date: _____ (Year/Month/Day)

Product Certificate

Inspector:

01

Date of manufacture:

NINGBO DELI TOOLS CO., LTD.
No. 128 Chezhan West Road, Huangtan Town,
Ninghai County, Ningbo, Zhejiang, China
delitoolsglobal@nbdeli.com
www.delitoolsglobal.com
+86 574 87562689
MADE IN CHINA

Reserved for future use
Version: 1.0
Date: June., 2022



Technische Daten

Modell		DE-DZ10-1E	DE-DZ10-1G	DE-DZ10-2E	DE-DZ10-2G
Nennspannung/Frequenz		220-240V~ 50/60Hz			
Nenneingangsleistung		500W			
Leerlaufdrehzahl		0-3300r/min			
Maximale Spannfutterkapazität		10mm			
Futtertyp		schlüssellos		Schlüssel	
Maximale Bohrleistung	Holz	25mm			
	Stahl	10mm			
Sicherheitsklasse		□/II			
Gewicht		1.3kg			

- Der Hersteller behält sich das Recht vor, die technischen Daten ohne vorherige Ankündigung zu ändern.
- Die technischen Daten können von Land zu Land unterschiedlich sein.

Es wird empfohlen, das Zubehör in dem Geschäft zu bestellen, in dem das Elektrowerkzeug gekauft wurde. Bitte wählen Sie das richtige Zubehör für Ihre Aufgabe. Im Zubehöropaket finden Sie weitere Anleitungen und Hilfestellungen für die Nutzung.

Symbole

 Lesen Sie die Bedienungsanleitung	 Warnzeichen	 Doppelte Isolierung	 Tragen Sie Schutzhandschuhe
 Tragen Sie einen Gehörschutz	 Tragen Sie eine Schutzbrille	 Tragen Sie Schutzmasken	 Nicht ins Wasser tauchen
 Holz	 Schraubenzieher	 Niedrige Drehzahl	 Nicht ins Feuer legen
 Metall	 Loch bohren	 Hohe Drehzahl	 Sperre

Allgemeine Sicherheitshinweise für Elektrowerkzeuge

ACHTUNG Lesen Sie alle Sicherheitshinweise, Anweisungen, Abbildungen und Spezifikationen, die diesem Elektrowerkzeug beiliegen.

Die Nichtbeachtung aller unten aufgeführten Anweisungen kann zu einem Stromschlag, Brand und/oder schweren Verletzungen führen.

Verahren Sie alle Warnhinweise und Anweisungen für zukünftigen Gebrauch. Der Begriff „Elektrowerkzeug“ in den Warnhinweisen bezieht sich auf Ihr netzbetriebenes (schnurgebundenes) Elektrowerkzeug oder akkubetriebenes (schnurloses) Elektrowerkzeug.

Sicherheit im Arbeitsbereich

1. **Halten Sie den Arbeitsbereich sauber und gut beleuchtet.** Unaufgeräumte oder dunkle Bereiche laden zu Unfällen ein.
2. **Betreiben Sie Elektrowerkzeuge nicht in explosionsgefährdeten Bereichen, wie z. B. bei Vorhandensein von brennbaren Flüssigkeiten, Gasen oder Staub.** Elektrowerkzeuge erzeugen Funken, die Staub oder Dämpfe entzünden können.
3. **Halten Sie Kinder und Zuschauer fern, während Sie ein Elektrowerkzeug bedienen.** Ablenkungen können dazu führen, dass Sie die Kontrolle verlieren.

Elektrische Sicherheit

- Die Stecker von Elektrowerkzeugen müssen zur Steckdose passen. Verändern Sie niemals den Stecker in irgendeiner Weise. Verwenden Sie keine Adapterstecker mit geerdeten Elektrowerkzeugen.** Unveränderte Stecker und passende Steckdosen verringern das Risiko eines Stromschlags.
- Vermeiden Sie Körperkontakt mit geerdeten Oberflächen wie z. B. Rohren, Heizkörpern, Herden und Kühlschränken.** Es besteht ein erhöhtes Risiko eines Stromschlags, wenn Ihr Körper geerdet ist oder geerdet wird.
- Setzen Sie Elektrowerkzeuge nicht Regen oder Nässe aus.** Wenn Wasser in ein Elektrowerkzeug eindringt, erhöht sich die Gefahr eines Stromschlags.
- Missbrauchen Sie das Kabel nicht. Benutzen Sie das Kabel niemals zum Tragen, Ziehen oder Ausstecken des Elektrowerkzeugs. Halten Sie das Netzkabel von Hitze, Flüssigkeiten, scharfen Kanten und beweglichen Teilen fern.** Beschädigte oder verwickelte Kabel erhöhen das Risiko eines Stromschlags.
- Wenn Sie ein Elektrowerkzeug im Freien betreiben, verwenden Sie ein für den Außeneinsatz geeignetes Verlängerungskabel.** Die Verwendung eines für den Außenbereich geeigneten Kabels verringert die Gefahr eines Stromschlags.
- Falls der Betrieb eines Elektrowerkzeugs in einer feuchten Umgebung unvermeidlich ist, verwenden Sie eine durch einen Fehlerstromschutzschalter (FI) geschützte Stromversorgung.** Die Verwendung eines FI-Schutzschalters verringert die Gefahr eines Stromschlags.

Persönliche Sicherheit

- Seien Sie wachsam, achten Sie darauf, was Sie tun, und nutzen Sie Ihren gesunden Menschenverstand, wenn Sie ein Elektrowerkzeug bedienen. Verwenden Sie ein Elektrowerkzeug nicht, wenn Sie müde sind oder unter dem Einfluss von Drogen, Alkohol oder Medikamenten stehen.** Ein Moment der Unachtsamkeit bei der Bedienung von Elektrowerkzeugen kann zu schweren Verletzungen führen.
- Verwenden Sie eine persönliche Schutzausrüstung. Tragen Sie immer einen Augenschutz.** Schutzausrüstungen wie Staubmaske, rutschfeste Sicherheitsschuhe, Schutzhelm oder Gehörschutz, die unter

geeigneten Bedingungen verwendet werden, verringern die Zahl der Personenschäden.

- Verhindern Sie unbeabsichtigtes Starten. Stellen Sie sicher, dass der Schalter in der Aus-Stellung ist, bevor Sie das Gerät an die Stromquelle und/oder den Akkupack anschließen, es in die Hand nehmen oder tragen.** Das Tragen von Elektrowerkzeugen mit dem Finger auf dem Schalter oder das Einschalten von Elektrowerkzeugen, bei denen der Schalter eingeschaltet ist, lädt zu Unfällen ein.
- Ziehen Sie vor dem Einschalten des Elektrowerkzeugs alle Einstellschlüssel oder Schraubenschlüssel ab.** Ein Schraubenschlüssel oder ein Schlüssel, der an einem rotierenden Teil des Elektrowerkzeugs verbleibt, kann zu Verletzungen führen.
- Greifen Sie nicht zu weit. Halten Sie stets einen sicheren Stand und das Gleichgewicht.** Dies ermöglicht eine bessere Kontrolle des Elektrowerkzeugs in unerwarteten Situationen.
- Ziehen Sie sich entsprechend passend an. Tragen Sie keine weite Kleidung und keinen Schmuck. Halten Sie Ihr Haar und Ihre Kleidung von beweglichen Teilen fern.** Lockere Kleidung, Schmuck oder lange Haare können sich in beweglichen Teilen verfangen.
- Wenn Vorrichtungen zum Anschluss von Staubabsaugungen und -auffangvorrichtungen vorhanden sind, stellen Sie sicher, dass diese angeschlossen sind und ordnungsgemäß verwendet werden.** Die Verwendung einer Staubabsaugung kann die staubbedingten Gefahren verringern.
- Lassen Sie nicht zu, dass Sie sich aufgrund der Vertrautheit, die Sie durch den häufigen Gebrauch von Werkzeugen erlangt haben, zu sicher fühlen und die Grundsätze der Werkzeugsicherheit ignorieren.** Eine unvorsichtige Handlung kann im Bruchteil einer Sekunde zu schweren Verletzungen führen.

Verwendung und Pflege von Elektrowerkzeugen

- Setzen Sie das Elektrowerkzeug nicht mit Gewalt ein. Verwenden Sie das richtige Elektrowerkzeug für Ihre Anwendung.** Das richtige Elektrowerkzeug erledigt die Arbeit besser und sicherer mit der Drehzahl, für die es ausgelegt ist.
- Verwenden Sie das Elektrowerkzeug nicht, wenn der Schalter es nicht ein- und ausschaltet.** Jedes Elektrowerkzeug, das sich nicht mit dem Schalter steuern lässt, ist

gefährlich und muss repariert werden.

3. **Trennen Sie den Stecker von der Stromquelle und/oder entfernen Sie den Akkupack, falls abnehmbar, vom Elektrowerkzeug, bevor Sie Einstellungen vornehmen, Zubehörteile wechseln oder Elektrowerkzeuge lagern.** Solche vorbeugenden Sicherheitsmaßnahmen verringern das Risiko eines unbeabsichtigten Starts des Elektrowerkzeugs.
4. **Bewahren Sie ungenutzte Elektrowerkzeuge außerhalb der Reichweite von Kindern auf und erlauben Sie Personen, die mit dem Elektrowerkzeug oder dieser Anleitung nicht vertraut sind, nicht, das Elektrowerkzeug zu bedienen.** Elektrowerkzeuge sind in den Händen ungeschulter Benutzer gefährlich.
5. **Pflegen Sie Elektrowerkzeuge und Zubehör. Prüfen Sie, ob bewegliche Teile falsch ausgerichtet sind oder klemmen, ob Teile gebrochen sind und ob andere Bedingungen vorliegen, die den Betrieb des Elektrowerkzeugs beeinträchtigen können. Lassen Sie das Elektrowerkzeug bei Beschädigung vor der Verwendung reparieren.** Viele Unfälle werden durch schlecht gewartete Elektrowerkzeuge verursacht.
6. **Halten Sie Schneidwerkzeuge scharf und sauber.** Ordnungsgemäß gewartete Schneidwerkzeuge mit scharfen Schneidkanten verklemmen sich seltener und sind leichter zu kontrollieren.
7. **Verwenden Sie das Elektrowerkzeug, das Zubehör, die Bits usw. gemäß dieser Anleitung und unter Berücksichtigung der Arbeitsbedingungen und der auszuführenden Arbeiten.** Die Verwendung des Elektrowerkzeugs für andere als die vorgesehenen Arbeiten kann zu gefährlichen Situationen führen.
8. **Halten Sie Griffe und Griffflächen trocken, sauber und frei von Öl und Fett.** Rutschige Griffe und Griffflächen ermöglichen keine sichere Handhabung und Kontrolle des Geräts in unerwarteten Situationen.

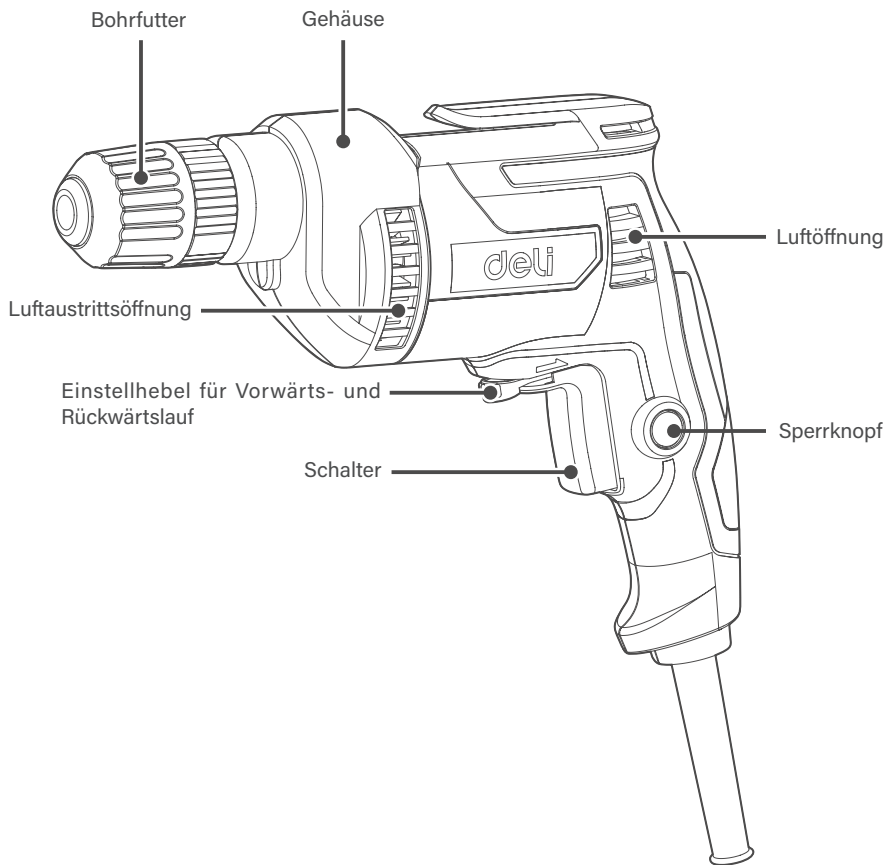
Service

1. **Lassen Sie Ihr Elektrowerkzeug von einem qualifizierten Servicetechniker warten, der nur identische Ersatzteile verwendet.** Dadurch wird sichergestellt, dass die Sicherheit des Elektrowerkzeugs erhalten bleibt.

Zusätzliche Sicherheitshinweise für Bohrer

Allgemeines

Halten Sie das Elektrowerkzeug immer an den isolierten Griffflächen fest, wenn Sie eine Arbeit ausführen, bei dem das Schneidezubehör verborgene Leitungen oder das eigene Kabel berühren kann. Schneidezubehör, das mit einer „spannungsführenden“ Leitung in Berührung kommt, kann freiliegende Metallteile des Elektrowerkzeugs „unter Spannung bringen“ und dem Bediener einen Stromschlag versetzen.

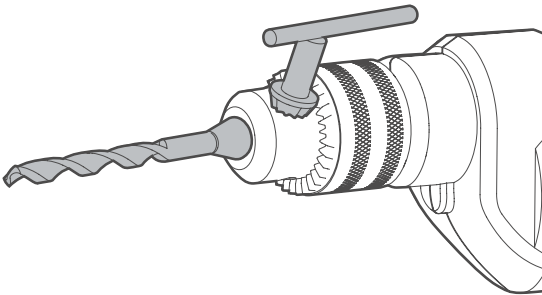


ACHTUNG: Lesen Sie die Bedienungsanleitung vor dem Betrieb sorgfältig durch.

Anwendung: Diese Bohrmaschine ist zum Anziehen und Lösen von Schrauben sowie zum Bohren in Holz, Metall und Kunststoff einsetzbar.

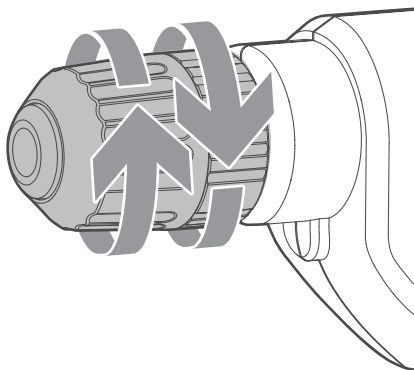
1 Werkzeug in das Bohrfutter einsetzen

Setzen Sie das Werkzeug ein und ziehen Sie alle 3 Löcher gleichmäßig mit dem Öffnungsschlüssel des Futter fest. (nur für Bohrfutter mit Schlüssel).



2 Schlüsselloses Bohrfutter

Halten Sie den hinteren Achsring des schlüssellosen Spannfeeders und drehen Sie den vorderen bis das Futter weit genug geöffnet ist, um das Werkzeug einzusetzen. Setzen Sie das Werkzeug in das Futter ein. Halten Sie den hinteren Achsring fest und drehen Sie den vorderen Ring von Hand bis er festgezogen ist. Wenn der vordere Achsring in die entgegengesetzte Richtung zum Entfernen des Werkzeugs gedreht wird, entriegelt sich der Sperrmechanismus automatisch.



3 Schaltknopf

Drücken Sie den Knopf, um das Werkzeug zu starten und lassen Sie ihn zum Anhalten los.

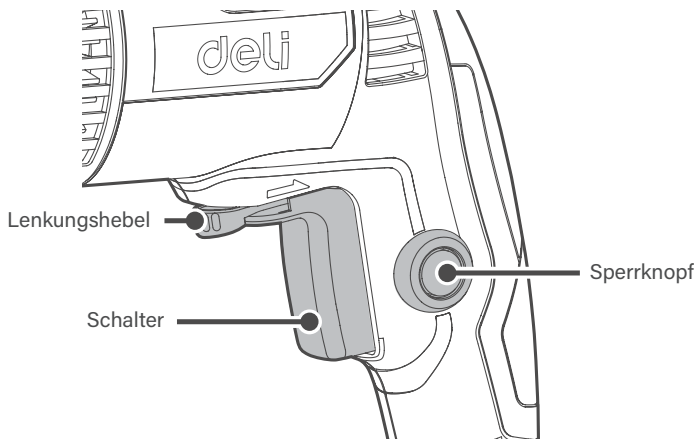
Taste für die Einschaltsperre

Bis zum Einschalten: Drücken Sie den Schaltknopf, dann drücken Sie den Sperrknopf, um den Bohrer zu verriegeln, und dann kann er durchgehend betrieben werden.

Ausschalten: Drücken Sie einfach den Schaltknopf und lassen Sie ihn los, um das Gerät anzuhalten.

Lenkungshebel

Die Rechtsverschiebung des Lenkhebels zeigt die Vorwärtsdrehung an, und seine Linksverschiebung zeigt die Rückwärtsdrehung an. Ändern Sie die Drehrichtung nicht während der Drehung des Werkzeugs bis es zum Stillstand kommt.



4 Variable Drehzahlregelung

Drücken Sie den Schaltknopf, um je nach verwendetem Material und Zubehör zu beschleunigen oder zu verlangsamen (dies kann auch im Leerlauf erfolgen). Eine höhere Drehzahl erzeugt ein geringeres Drehmoment und umgekehrt.

5 Tipps für den Bohrbetrieb

Bei Überhitzung des Elektrowerkzeugs die Drehzahl auf Maximum stellen und 2 - 3 Minuten im Leerlauf laufen lassen, um den Motor abzukühlen.

Beim Bohren in Metall dürfen nur Schnellstahlbohrer in einwandfreiem Zustand verwendet werden.

Beim Einsatz von kurzen Schraubendreherbits sollte unbedingt eine magnetische Bohrhülse verwendet werden.

Vor dem Bohren von Löchern mit größerem Durchmesser in Metallmaterialien sollten möglichst Führungslöcher benutzt werden.

Wartung

⚠ Achtung! Ziehen Sie vor dem Durchführen von Austauscharbeiten am Gerät unbedingt den Stecker heraus.

Dieses Elektrowerkzeug kann ohne die Verwendung von Schmieröl oder besondere Wartung normal funktionieren. Bitte führen Sie einfache Wartungsarbeiten an der Bohrmaschine gemäß den folgenden Anforderungen durch.

1. Reinigen Sie das Gerät nach der Verwendung mit einem trockenen Lappen. Achtung: Verwenden Sie zum Reinigen des Geräts niemals Wasser oder chemische Reinigungsmittel, um das Gehäuse nicht zu beschädigen oder elektrische Lecks und andere Unfälle zu verursachen.
2. Halten Sie den Lufteinlass des Motors immer sauber und frei, um zu verhindern, dass sich Ablagerungen am Lufteinlass ansammeln und die Kühlung des Motors beeinträchtigen.

Versuchen Sie außerdem, das Gerät nicht in staubiger Umgebung zu verwenden. Wenn das Netzkabel beschädigt ist, muss es zur Vermeidung von Gefahren durch den Hersteller, ein autorisiertes Wartungszentrum oder eine gleichwertige qualifizierte Fachkraft ersetzt werden.

Umweltschutz



Entsorgung von Altgeräten

Im Sinne des Umweltschutzes müssen beschädigte Geräte, Zubehörteile und Verpackungsmaterialien für ein einfaches Recycling sorgfältig sortiert werden. Zur Erleichterung der Sortierung und des Recyclings sind alle Kunststoffteile mit den Materialangaben gekennzeichnet.

Produktgarantiekarte

Produktgarantiekarte:

Wir bedanken uns, dass Sie sich für unsere Produkte entschieden haben. Im Interesse ihrer Zufriedenheit können sich die Käufer im Falle von Qualitätsproblemen mit der Rechnung und der Garantiekarte an den lokalen Vertriebshändler oder an die angegebene Reparaturstelle wenden.

Garantie Hinweis:

1. Wenn von _____ (Jahr/Monat/Tag) bis _____ (Jahr/Monat/Tag), das Produkt bei bestimmungsgemäßem Gebrauch ausfällt, bietet unser Unternehmen eine kostenlose Garantie, Ersatzteilversorgung und andere Dienstleistungen je nach Problemfall.
2. Diese Garantiekarte und der Kaufbeleg dienen als Nachweise für den von unserem Unternehmen angebotenen Kundendienst. Die Karte darf nur nach Ausfüllen des folgenden Formulars und Anbringen des offiziellen Händlerstempels ausgefüllt werden.
3. Bei folgenden Fällen gilt der kostenlose Garantieservice nicht, und es werden Wartungsgebühren fällig:
 - (1) Überschreitung des Verfallsdatums.
 - (2) Fehler oder Schäden, die durch Nichtbeachtung der Anweisungen im Produkthandbuch, unsachgemäße Wartung oder Lagerung verursacht wurden.
 - (3) Fehler oder Schäden, die durch das Zerlegen, Reparieren oder Modifizieren des Produkts ohne Genehmigung von unserem Unternehmen verursacht wurden.
 - (4) Geräteausfall oder Schäden, die durch höhere Gewalt verursacht wurden.
 - (5) Für verbrauchbares Zubehör.

Diese Karte wird zusammen mit dem Produkt ausgegeben. Eine Karte pro Gerät. Bewahren Sie diese Karte sorgfältig auf, um den Anspruch auf den kostenlosen Garantieservice des Unternehmens zu gewährleisten; bei Verlust wird sie nicht ersetzt.

Kaufdatum: _____ (Jahr/Monat/Tag)

Produktzertifikat

Prüfer:

01

Herstellungsdatum:

NINGBO DELI TOOLS CO., LTD.

N° 128 Chezhan West Road, Huangtan Town,

Ninghai County, Ningbo, Zhejiang, China

delitoolsglobal@nbdeli.com

www.delitoolsglobal.com

+86 574 87562689

HERGESTELLT IN CHINA

Reserviert für späteren Gebrauch

Version: 1.0

Datum: Juni. , 2022



Spécifications

















Modèle		DE-DZ10-1E	DE-DZ10-1G	DE-DZ10-2E	DE-DZ10-2G
Tension/Fréquence nominale		220-240V~ 50/60Hz			
Puissance d'entrée nominale		500W			
Vitesse à vide		0-3300r/min			
Capacité maximale du mandrin		10mm			
Type de mandrin		sans clé		clé	
Capacité maximale de perçage	Bois	25mm			
	Acier	10mm			
Indice de sécurité		□/II			
Poids de la machine		1,3kg			

* Le fabricant se réserve le droit de modifier les spécifications sans préavis.

* Les caractéristiques techniques varient d'un pays à l'autre.

Il est recommandé de sélectionner les accessoires dans le magasin où l'outil électrique est acheté. Veuillez sélectionner les accessoires appropriés requis pour votre travail. Veuillez vous référer à l'emballage de l'accessoire pour obtenir plus de détails sur les méthodes et d'aide à l'utilisation.

Marquage

 Lire le manuel	 Symbole d'avertissement	 Double isolation	 Veuillez porter des gants de protection
 Veuillez porter des cache-oreilles protecteurs	 Veuillez porter des lunettes de protection	 Veuillez porter un masque	 Ne mettez pas l'outil dans l'eau
 Bois	 Tournevis	 Vitesse lente	 Ne mettez pas l'outil dans des flammes
 Métal	 Trou à percer	 Vitesse rapide	 Verrouillage

Instruction originales

Avertissements généraux concernant les outils électriques

AVERTISSEMENT Lire l'ensemble des avertissements, instructions, illustrations et spécifications fourni avec cet outil électrique. Le fait de ne pas suivre toutes les instructions figurant dans la liste ci-dessous peut entraîner un risque de choc électrique, d'incendie et/ou de blessures graves.

Conservez tous les avertissements et instructions à titre d'information.

Le terme « outil électrique » dans les avertissements fait référence à votre outil électrique (avec fil) fonctionnant sur secteur ou à votre outil électrique (sans fil) fonctionnant sur batterie.

Sécurité du lieu de travail

- Maintenez le lieu de travail propre et bien éclairé.** Les emplacements encombrés ou sombres favorisent les accidents.
- N'utilisez pas d'outils électriques dans un environnement explosif, par exemple en présence de liquides, de gaz ou de poussières inflammables.** Les outils électriques dégagent des étincelles qui peuvent enflammer les vapeurs.
- Éloignez les enfants et les personnes alentour lorsque vous utilisez un outil électrique.** Toutes distractions peuvent vous faire perdre le contrôle.

Sécurité électrique

- 1. Les prises de l'outil électrique doivent correspondre à la prise murale. N'altérez jamais la prise de quelque manière que ce soit. N'utilisez pas de prises d'adaptateur avec des appareils mis à la terre.** Les prises non altérées et les prises murales correspondantes réduiront les risques de chocs électriques.
- 2. Évitez que le corps puissent toucher les surfaces mises à la terre, telles que tuyaux, radiateurs, cuisinières et réfrigérateurs.** Le risque d'électrocution est plus important si votre corps est mis à la terre.
- 3. N'exposez pas les outils électriques à la pluie ni à l'humidité.** La pénétration d'eau dans un outil électrique augmente les risques d'électrocution.
- 4. N'abusez pas de l'utilisation du fil. N'utilisez jamais le fil pour transporter, tirer ou débrancher l'outil électrique. Conservez le fil à l'écart de la chaleur, de l'huile, des bords coupants ou pièces mobiles.** Un fil endommagé ou emmêlé augmente les risques d'électrocution.
- 5. Pour utiliser un outil électrique en extérieur, utilisez une rallonge adaptée à l'usage à l'extérieur.** L'utilisation d'un fil adapté à l'usage extérieur réduit les risques d'électrocution.
- 6. Si l'utilisation d'un outil électrique dans un endroit humide est inévitable, utilisez une alimentation protégée par un disjoncteur.** L'utilisation d'un disjoncteur permet de réduire les risques d'électrocution.

Sécurité personnelle

- 1. Restez attentif, surveillez votre travail et faites preuve de bon sens lorsque vous utilisez un outil électrique. N'utilisez pas un outil électrique si vous êtes fatigué ou sous l'influence de drogues, d'alcool ou de médicaments.** Un moment d'inattention lors de l'utilisation d'outils électriques peut entraîner des blessures graves.
- 2. Portez un équipement de protection individuelle. Portez toujours une protection auditive (oreillettes).** Des équipements de protection tels qu'un masque anti-poussière, des chaussures de sécurité antidérapantes, un casque ou des protections auditives, utilisés dans de bonnes conditions, permettront de réduire les risques de blessures.
- 3. Prévenez les démarrages non intentionnels. Assurez-vous que l'interrupteur est éteint (off) avant de brancher l'appareil à la prise d'alimentation et / ou à la batterie, ou de saisir ou de transporter l'outil.**

Le fait de transporter des outils électriques en ayant le doigt sur l'interrupteur ou de lancer des outils électriques lorsque l'interrupteur est allumé, peut être source d'accidents.

- 4. Retirez toute clé de réglage ou autre clé avant de mettre l'outil électrique en marche.** Une clé laissée sur une pièce rotative de l'outil électrique peut entraîner des blessures.
- 5. Ne vous penchez pas excessivement. Conservez à tout moment un bon appui et bon équilibre.** Vous pouvez ainsi mieux contrôler l'outil électrique en cas de situations imprévues.
- 6. Habillez-vous judicieusement. Ne portez pas de vêtements amples ni de bijoux. Tenez les cheveux et les vêtements à l'écart des pièces en mouvement.** Les vêtements amples, les bijoux ou les cheveux longs peuvent se coincer dans les pièces en mouvement.
- 7. Sides appareils permettent de se raccorder à des équipements de collecte et d'extraction de la poussière ; assurez-vous qu'ils soient raccordés et correctement utilisés.** L'utilisation d'un système de collecte de la poussière peut réduire les risques liés à la poussière.
- 8. Même si vous avez pris l'habitude d'utiliser des outils, vous ne devez pas être moins vigilant et ignorer les principes de sécurité des outils.** Un geste imprudent peut provoquer une blessure grave en une fraction de seconde.

Utilisation et entretien de l'outil électrique

- 1. Ne forcez pas sur l'outil électrique. Utilisez l'outil électrique convenant à l'usage.** Le bon outil électrique fonctionnera mieux et plus sûrement s'il est utilisé à la vitesse pour laquelle il a été conçu.
- 2. N'utilisez pas l'outil électrique si l'interrupteur ne l'allume ou ne l'éteint pas.** Tout outil électrique ne pouvant être contrôlé avec l'interrupteur est un outil dangereux, et doit être réparé.
- 3. Débranchez la prise et/ou retirez le compartiment à piles, s'il est détachable, de l'outil électrique avant tout réglage, changement d'accessoires ou avant de ranger des outils électriques.** Ce type de mesures de protection permet de réduire les risques d'allumage accidentel de l'outil électrique.
- 4. Rangez les outils électriques au repos hors de portée des enfants, et ne laissez personne ne connaissant pas l'outil électrique ou ces instructions utiliser l'outil électrique.** Les outils électriques sont dangereux entre les mains de personnes qui n'y

sont pas formées.

- Entretenez les et accessoires des outils électriques. Vérifiez l'alignement ou l'adhésion des pièces en mouvement, toute casse de pièces et toute autre condition susceptible d'affecter le bon fonctionnement de l'outil électrique. S'il est endommagé, faites réparer l'outil électrique avant de l'utiliser.** De nombreux accidents sont causés par des outils électriques mal entretenus.
- Faites en sorte que les outils de coupe restent affûtés et propres.** Des outils de coupe bien entretenus aux bords affûtés adhèrent moins et sont plus faciles à contrôler.
- Utilisez l'outil électrique, les accessoires, embouts et forets, conformément à ces instructions, en tenant compte des conditions de travail et du travail à entreprendre.** L'utilisation de l'outil électrique dans un but différent de celui prévu peut entraîner des situations dangereuses.
- Faites en sorte que les surfaces de préhension et poignées restent sèches, propres et exemptes d'huile et de graisse.** Les poignées et les surfaces de préhension glissantes ne permettent pas de manipuler et de contrôler l'outil en toute sécurité dans des situations inattendues.

Révision

- Faites réviser votre outil électrique par un technicien qualifié utilisant seulement des pièces de rechange identiques.** Cela permettra de préserver la sécurité de l'outil électrique.

Consignes de sécurité supplémentaires pour la perceuse.

Généralités

Tenez l'outil électrique par les surfaces de préhension isolées lorsque vous l'utilisez car l'accessoire de coupe peut entrer en contact avec un câblage dissimulé ou son propre cordon. Le contact de l'accessoire de coupe avec un fil sous tension peut électrocuter les parties métalliques exposées de l'outil électrique et l'opérateur risque de s'électrocuter.

Consignes de sécurité pour l'utilisation de forets longs

- Ne jamais faire fonctionner à une vitesse supérieure à la vitesse nominale maximale du foret.** À des vitesses plus élevées, le foret est susceptible de se plier s'il tourne à vide sans entrer en contact avec la pièce, avec un risque de blessures.

- Commencez toujours à percer à basse vitesse et avec la pointe du foret en contact avec la pièce à usiner.** À des vitesses plus élevées, le foret est susceptible de se plier s'il tourne à vide sans entrer en contact avec la pièce, avec un risque de blessures.
- Appliquez une pression uniquement dans l'axe du foret et n'appliquez pas de pression excessive.** Les forets peuvent se plier et se rompre ou provoquer une perte de contrôle, avec un risque de blessures.

Informations sur le bruit/les vibrations

Valeurs d'émission sonore déterminées selon EN 62841-2-1.

Typiquement, le niveau de bruit pondéré A de l'outil électrique est : Niveau de pression acoustique 83 dB(A) ; niveau de puissance acoustique 94 dB(A). Incertitude K = 5 dB.

Portez des protections auditives !

Valeurs totales de vibration ah (somme vectorielle triaxiale) et incertitude K déterminées selon la norme EN 62841-2-1 :

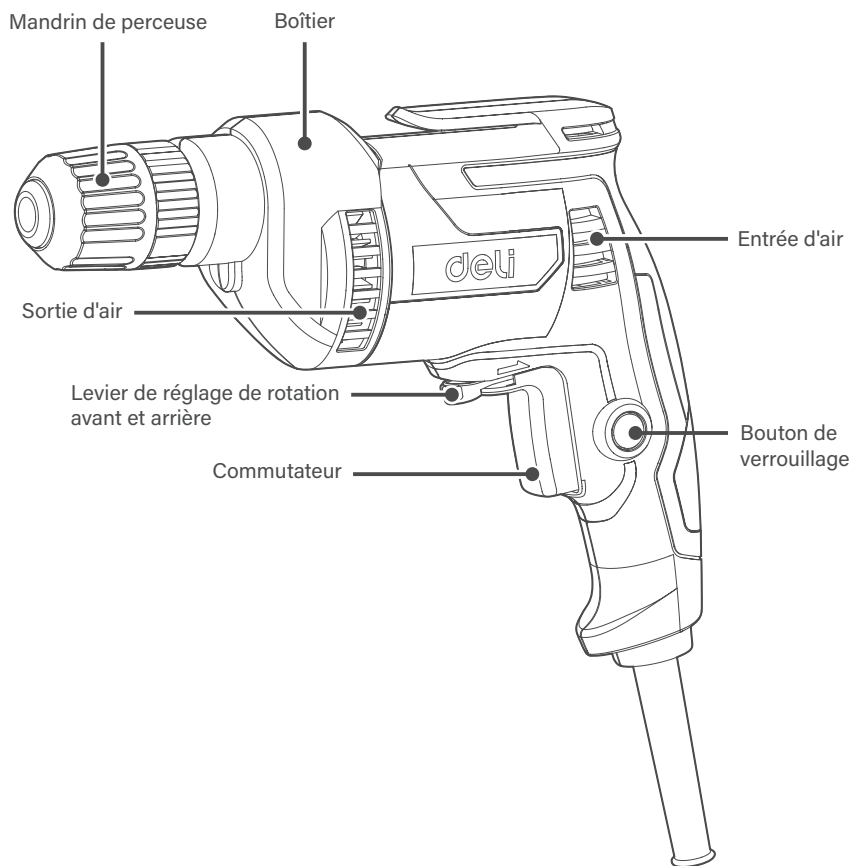
Percer le métal : ah = 7,0 m/s², K = 1,5 m/s²

Le niveau de vibration et la valeur d'émission sonore indiqués dans ces instructions ont été mesurés selon une procédure de mesure standardisée et peuvent être utilisés pour comparer des outils électriques. Ils peuvent également être utilisés pour une estimation préliminaire des émissions de vibrations et de bruit.

Le niveau de vibration et la valeur d'émission sonore indiqués concernent les principales applications de l'outil électrique. Cependant, si l'outil électrique est utilisé pour d'autres applications, avec des outils d'application différents ou mal entretenus, le niveau de vibration et la valeur d'émission sonore peuvent différer. Cela peut augmenter considérablement les émissions de vibrations et de bruit sur toute la période de travail.

Pour estimer avec précision les émissions de vibrations et de bruit, les moments où l'outil est arrêté ou lorsqu'il fonctionne mais n'est pas réellement utilisé doivent également être pris en compte. Cela peut réduire considérablement les émissions de vibrations et de bruit sur toute la période de travail.

Mettez en œuvre des mesures de sécurité supplémentaires pour protéger l'opérateur des effets des vibrations, telles que l'entretien de l'outil électrique et des outils d'application, maintenir au chaud les mains et l'organisation correcte des périodes de travail.



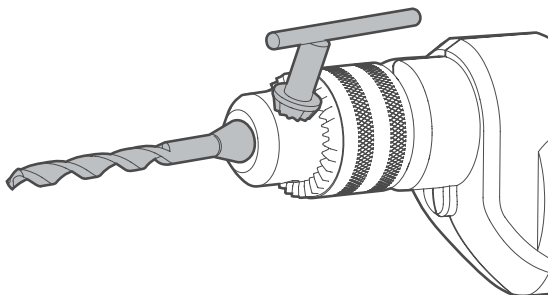
Consignes de fonctionnement

AVERTISSEMENT : Lisez attentivement le mode d'emploi avant utilisation.

Application : Cette perceuse est destinée à visser et dévisser les vis ainsi qu'à percer dans le bois, le métal et le plastique.

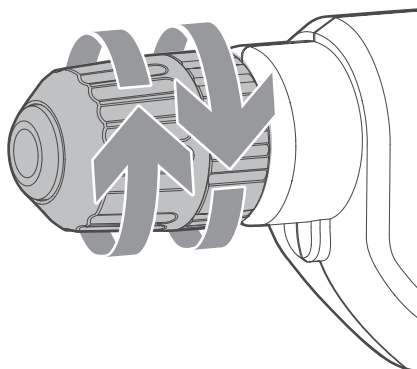
① Insérer l'outil dans le mandrin

Insérez l'outil et serrez les 3 trous uniformément avec la clé à mandrin. (pour mandrins avec clés uniquement).



② Mandrin sans clé

Tenez la bague de l'axe arrière du mandrin sans clé et faites pivoter la bague avant jusqu'à ce que le mandrin soit suffisamment ouvert pour insérer l'outil. Insérez l'outil dans le mandrin. Tenez la bague de l'axe arrière et faites pivoter manuellement la bague avant jusqu'à ce qu'elle soit serrée. Lorsque la bague de l'axe avant est tournée dans le sens opposé pour retirer l'outil, le mécanisme de verrouillage se libère automatiquement.



3 Bouton d'activation

Appuyez sur le bouton pour démarrer l'outil et relâchez-le pour l'arrêter.

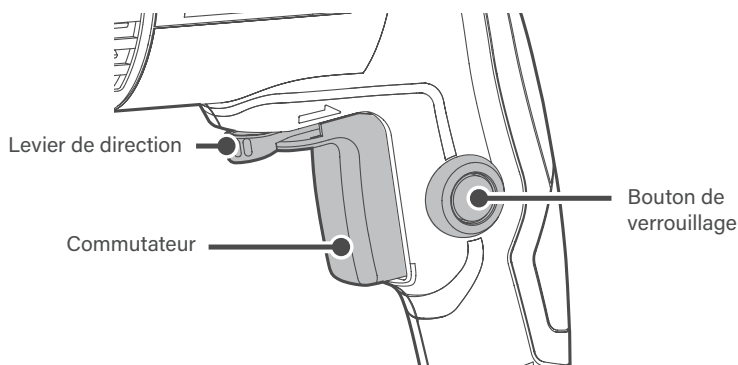
Bouton de verrouillage d'activation

Activé en continu : Appuyez sur le bouton d'activation, puis appuyez sur le bouton de verrouillage pour verrouiller, la perceuse peut être utilisée en continu.

Désactivé : Appuyez simplement sur le bouton d'activation et relâchez-le pour arrêter l'outil.

Levier de direction

Le décalage à droite du levier de direction indique la rotation avant et son décalage à gauche indique la rotation arrière. Ne changez pas le sens de rotation pendant la rotation de l'outil. Attendez qu'il s'arrête.



4 Contrôle de vitesse variable

Appuyez sur le bouton d'activation pour accélérer ou décélérer en fonction du matériau et des accessoires à utiliser (cela peut également se faire pendant le fonctionnement à vide). Une vitesse plus élevée produira moins de couple et vice versa.

5 Conseils pour utiliser la perceuse

Si la perceuse électrique surchauffe, réglez la vitesse au maximum et laissez tourner à vide pendant 2 - 3 minutes pour refroidir le moteur.

Lorsque vous percez du métal, seuls des forets en acier grande vitesse en bon état doivent être utilisés.

Lorsque vous utilisez un tournevis court, veillez à utiliser un manchon de perçage magnétique.

Des trous de guidage doivent être utilisés autant que possible avant de percer des trous de plus grand diamètre dans des matériaux métalliques.

Entretien

⚠ Avertissement ! Avant d'effectuer des opérations de remplacement sur la machine, assurez-vous d'abord de débrancher la fiche.

Cet outil électrique peut fonctionner normalement sans appliquer d'huile de graissage ni procéder à un entretien particulier. Veuillez effectuer un entretien simple de la perceuse selon les exigences suivantes.

1. Nettoyez la machine avec un chiffon sec après utilisation. Attention : N'utilisez jamais de l'eau ou un produit de nettoyage chimique pour nettoyer la machine, afin de ne pas diminuer les performances de l'enceinte de la machine ou entraîner un risque de fuite et d'autres accidents.
2. L'entrée d'air du moteur doit toujours être propre et dégagée pour éviter que des débris ne s'accumulent à l'entrée d'air et n'affectent le refroidissement du moteur.
3. Pour les outils électriques avec fixation de type Y : si le remplacement du cordon d'alimentation est nécessaire, cela doit être fait par le fabricant ou son mandataire afin d'éviter un danger pour la sécurité.

En outre, essayez de ne pas l'utiliser dans un environnement poussiéreux. Si le cordon d'alimentation est endommagé, afin d'éviter un danger, il doit être remplacé par le fabricant, un centre de maintenance autorisé ou un professionnel compétent.

Protection de l'environnement



Élimination des déchets

Pour la protection de l'environnement, les machines, accessoires et matériaux d'emballage endommagés doivent être triés avec soin pour faciliter le recyclage. Afin de faciliter le tri et le recyclage, toutes les pièces en plastique sont marquées.

Carte de garantie du produit

Chers utilisateurs:

Merci d'avoir acheté nos produits. Afin de garantir leur achat, les utilisateurs de nos produits peuvent contacter un distributeur local ou des centres de réparation spécifiés, munis de la facture et de la carte de garantie en cas de défaillance du produit due à de problèmes de qualité.

Notice de garantie:

1. Valide du _____ (jour, mois, année) au _____ (jour, mois, année) Si la panne survient dans le cadre d'une utilisation normale, notre société fournira une garantie gratuite, un remplacement de pièces et d'autres services en fonction de la panne.
2. Cette carte de garantie et la facture d'achat servent de bon de réparation pour le service après-vente fourni par notre société aux clients. La carte ne doit être renseignée qu'en remplissant le formulaire suivant et en apposant le sceau officiel du distributeur.
3. Dans l'un des cas suivants, le service de garantie gratuit sera annulé et des frais d'intervention seront demandés:
 - (1) Dépassement de la date d'expiration.
 - (2) Défaillance ou dommage causé par le non-respect des exigences du manuel du produit, un entretien ou un stockage inapproprié.
 - (3) Défaillance ou dommage causé par le démontage, la réparation ou la modification du produit sans l'autorisation de notre société.
 - (4) Panne de la machine ou dommage causé par un cas de force majeure.
 - (5) Accessoires consommables.

Cette carte est livrée avec le produit. Une carte pour une machine, pour vous assurer que vous pouvez profiter pleinement du droit au service de garantie gratuit fourni par l'entreprise. Veuillez conserver cette carte correctement. En cas de perte, elle ne sera pas remplacée.

Date d'achat : _____ (jour, mois, année)

Certificat de produit

Inspecteur:

01

Date de fabrication:

NINGBO DELI TOOLS CO., LTD.

N° 128 Chezhan West Road, Huangtan Town,

Ninghai County, Ningbo, Zhejiang, Chine

delitoolsglobal@nbdeli.com

www.delitoolsglobal.com

+86 574 87562689

FABRIQUÉ EN CHINE

Réservé pour une utilisation future

Version: 1.0

Date : Juin, 2022



Especificaciones

Modelo	DE-DZ10-1E	DE-DZ10-1G	DE-DZ10-2E	DE-DZ10-2G
Tensión/frecuencia nominal	220-240V~ 50/60Hz			
Potencia de entrada nominal	500W			
Velocidad sin carga	0-3300r/min			
Máxima capacidad del portabrocas	10mm			
Tipo de mandril	sin llave		clave	
Máxima capacidad del taladrado	Madera	25mm		
	Acero	10mm		
Clase de seguridad	□/II			
Peso de la máquina	1,3kg			

- El fabricante se reserva el derecho de realizar cualquier cambio en las especificaciones sin previo aviso.
- Las especificaciones pueden variar de un país a otro.

Se recomienda seleccionar los accesorios en la tienda en la que se compró la herramienta eléctrica. Seleccione los accesorios correctos requeridos para su trabajo. Consulte el paquete de accesorios para obtener más métodos y ayuda para su utilización.

Símbolos

 Lea el manual	 Marca de advertencia	 Herramientas tipo II	 Lleve guantes protectores
 Lleve orejeras protectoras	 Lleve gafas protectoras	 Lleve máscaras protectoras	 No la ponga en agua
 Madera	 Destornillador	 Velocidad nominal	 No la ponga en fuego
 Metal	 Orificio de taladro	 Alta velocidad	 Bloqueo

ADVERTENCIAS GENERALES DE SEGURIDAD PARA HERRAMIENTAS ELÉCTRICAS

ADVERTENCIA Lea con atención todas las advertencias de seguridad, instrucciones, ilustraciones y especificaciones proporcionadas con esta herramienta eléctrica. No seguir las instrucciones indicadas a continuación puede tener como resultado una descarga eléctrica, un incendio y/o lesiones graves. **Guarde todas las advertencias e instrucciones para referencia futura.**

El uso del término «herramienta eléctrica» en las advertencias de seguridad se refiere a herramientas eléctricas conectadas a la red (con cable) o a batería (sin cable).

Seguridad del área de trabajo

- Mantenga el área de trabajo limpia y bien iluminada.** Las áreas abarrotadas y oscuras propician accidentes.
- No utilice la herramienta eléctrica en un entorno con peligro de explosión, en el que se encuentren combustibles líquidos, gases o material en polvo.** Las herramientas eléctricas generan chispas que pueden encender el polvo y los vapores inflamables.
- Mantenga a los niños y transeúntes alejado del área cuando utilice la herramienta eléctrica.** Las distracciones pueden hacerle perder el control de la máquina.

Seguridad eléctrica

- 1. El enchufe de la herramienta eléctrica debe ser compatible con la toma de corriente. No modifique nunca la clavija de enchufe de ninguna forma. No utilice ningún enchufe adaptador con herramientas eléctricas conectadas a masa (conectadas a tierra).** Los enchufes no modificados y que se adaptan a las tomas de corriente reducirán el riesgo de descarga eléctrica.
- 2. Evite el contacto del cuerpo con superficies conectadas a masa o tierra, por ejemplo, tuberías, radiadores, estufas y refrigeradores.** Si su cuerpo está puesto a masa o tierra existe un mayor riesgo de que se produzca una descarga eléctrica.
- 3. No exponga la herramienta eléctrica a condiciones húmedas o a lluvia.** El riesgo de recibir descargas eléctricas aumenta si penetra agua en la herramienta eléctrica.
- 4. No haga mal uso del cable. Nunca use el cable para transportar, tirar o desenchufar la herramienta eléctrica. Mantenga el cable alejado del calor, de aceite y de piezas móviles o con bordes afilados.** Los cables dañados o enredados pueden aumentar el riesgo de descarga eléctrica.
- 5. Cuando utilice la herramienta eléctrica en el exterior, use un cable alargador adecuado para uso en exterior.** El uso de un cable adecuado para uso en exterior reduce el riesgo de descarga eléctrica.
- 6. Si no es posible evitar usar una herramienta eléctrica en condiciones húmedas, utilice una fuente de alimentación protegida por un interruptor diferencial (ID).** El uso de un ID reduce el riesgo de descarga eléctrica.

Seguridad personal

- 1. Al utilizar una herramienta eléctrica, esté atento, concéntrese en lo que hace y use el sentido común. No utilice la herramienta eléctrica si está cansado o bajo los efectos del alcohol, las drogas o los medicamentos.** Un momento de distracción mientras se utiliza la herramienta eléctrica puede tener como resultado lesiones personales graves.
- 2. Use el equipo de protección individual. Lleve siempre protección ocular.** El uso de un equipo de protección adecuado como una mascarilla antipolvo, zapatos de seguridad con suela antideslizante, casco o protectores auditivos para las condiciones que lo requieran reducirá las lesiones personales.
- 3. Evite un arranque involuntario. Asegurarse de que el interruptor está en posición de apagado antes de conectar**

la herramienta a la toma de corriente y/o al insertar el paquete de batería, al recogerla, y al transportarla. Transportar la herramienta eléctrica con el dedo apoyado sobre el interruptor o enchufar la herramienta eléctrica con el interruptor en la posición de encendido puede propiciar accidentes.

- 4. Retire cualquier llave de ajuste o herramienta antes de encender la herramienta eléctrica.** Una herramienta o llave colocada en una pieza giratoria de la herramienta eléctrica puede provocar lesiones personales.
- 5. No se estire demasiado. Apoye bien los pies y mantenga el equilibrio en todo momento.** Esto mejorará el control de la herramienta eléctrica en situaciones imprevistas.
- 6. Lleve la ropa adecuada. No lleve ropa holgada ni joyas. Mantenga el pelo y la ropa alejada de las piezas móviles.** La ropa holgada, las joyas, o el pelo largo pueden engancharse en las partes en movimiento.
- 7. Si los dispositivos están provistos de conexión para aspiración de polvo y dispositivos de recolección, asegúrese de que están conectadas y se utilizan correctamente.** El uso de un colector de polvo puede reducir los peligros relacionados con el polvo.
- 8. No deje que la familiaridad obtenida por el uso frecuente de la herramienta se vuelva algo habitual o haga que ignore los principios de seguridad de la herramienta.** Una acción descuidada puede provocar lesiones graves en una fracción de segundos.

Uso y cuidado de la herramienta eléctrica

- 1. No fuerce la herramienta eléctrica. Utilice la herramienta eléctrica prevista para el trabajo a realizar.** El trabajo se hace mejor y más seguro usando la herramienta eléctrica correcta con la velocidad para la que ha sido diseñada.
- 2. No utilice la herramienta eléctrica si el interruptor no puede encenderla o apagarla.** Una herramienta que no pueda controlarse con el interruptor es peligrosa y debe repararse.
- 3. Desconecte el enchufe de la toma de corriente y/o retire el paquete de baterías, si es desmontable, de la herramienta eléctrica antes de realizar cualquier ajuste, cambiar los accesorios o almacenar la herramienta.** Tales medidas preventivas de seguridad reducen el riesgo de arrancar la herramienta eléctrica accidentalmente.

4. **Almacene las herramientas que no utiliza fuera del alcance de los niños y no permita que las personas no familiarizadas con la herramienta eléctrica o estas instrucciones utilicen la herramienta eléctrica.** Las herramientas son peligrosas en manos de personas inexpertas.
5. **Mantenga la herramienta eléctrica y los accesorios. Compruebe si las partes móviles están alineadas o fijas, si no hay piezas rotas o cualquier otro problema que pueda afectar el rendimiento de la herramienta eléctrica. Si hay daños, repare la herramienta eléctrica antes de utilizarla.** Se ocasionan muchos accidentes por el mal mantenimiento de las herramientas eléctricas.
6. **Mantenga las herramientas de corte afiladas y limpias.** Las herramientas de corte con mantenimiento adecuado y con los bordes de corte afilados son menos propensas a trabarse y son más fáciles de controlar.
7. **Utilice la herramienta eléctrica, los accesorios y las brocas de herramienta, etc. de acuerdo con estas instrucciones, teniendo en cuenta las condiciones de trabajo y el trabajo que se vaya a realizar.** La utilización de la herramienta eléctrica para trabajos para los que no ha sido concebida puede dar lugar a situaciones de peligro.
8. **Mantenga las asas y las superficies de agarre secas, limpias y libres de aceite y grasa.** Las asas y superficies de agarre resbaladizas impiden manejar y controlar la herramienta eléctrica con seguridad en situaciones imprevistas.

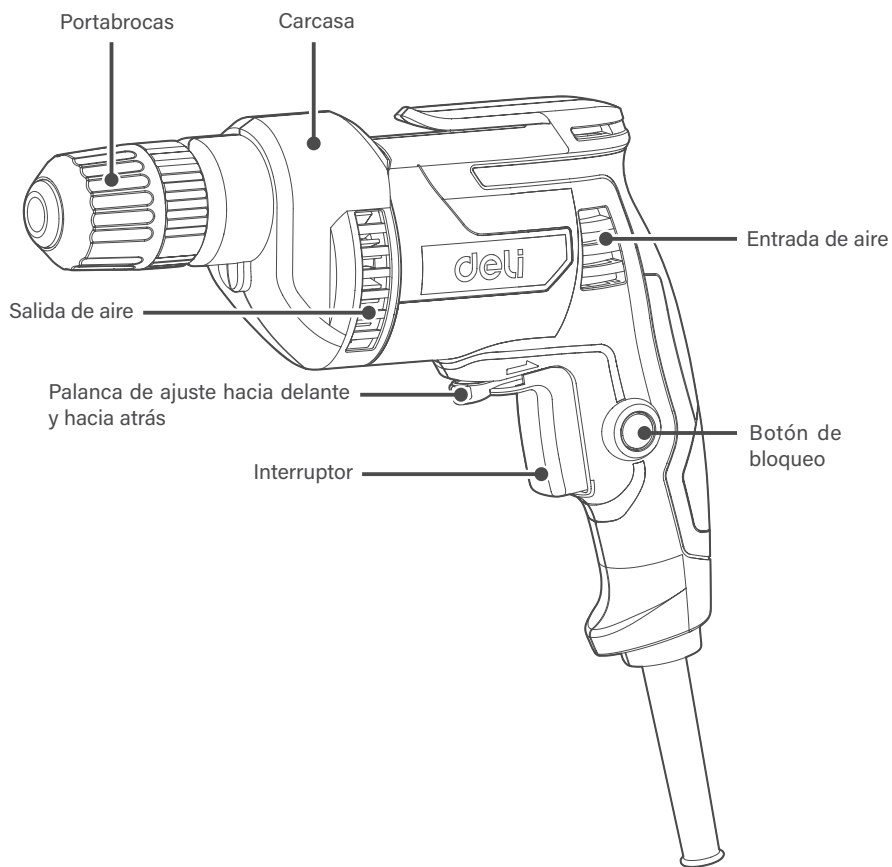
Servicio

1. **El servicio debe realizarse por personal de reparación cualificado utilizando solo repuestos idénticos.** Esto garantizará que se mantenga la seguridad de la herramienta eléctrica.

Instrucciones de seguridad adicionales para el taladro

Generalidades

Si los accesorios de corte entran en contacto con un cable «con corriente», las partes metálicas de la herramienta eléctrica pueden tener «corriente» y los operarios pueden sufrir una descarga eléctrica. Si los accesorios de corte entran en contacto con un cable «con corriente», las partes metálicas de la herramienta eléctrica pueden tener «corriente» y los operarios pueden sufrir una descarga eléctrica.



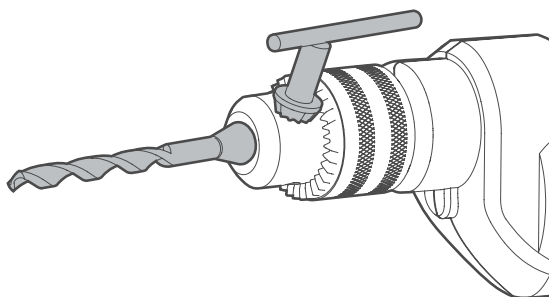
Instrucciones de funcionamiento

ADVERTENCIA: Lea detenidamente el manual antes del uso.

Aplicación: Este taladro se puede usar para apretar y aflojar tornillos, así como taladrar en madera, metal y plástico.

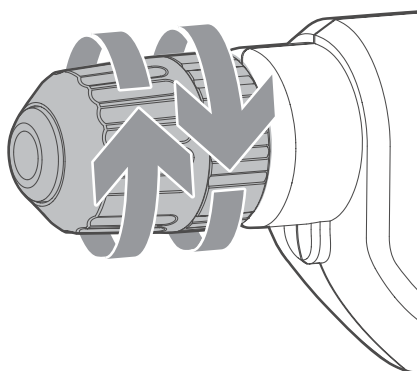
1 Inserte la herramienta en el portabrocas

Inserte la herramienta y apriete los 3 orificios uniformemente con la llave de apertura de portabrocas (para portabrocas de llaves únicamente).



2 Portabrocas sin llave

Sostenga el anillo del eje trasero del portabrocas sin llave y gire el delantero hasta que el portabrocas se abra lo suficiente para insertar la herramienta. Inserte la herramienta en el portabrocas. Sostenga el anillo del eje trasero y gire manualmente el delantero hasta que esté apretado. Cuando se gira el anillo del eje delantero en sentido opuesto para retirar la herramienta, el mecanismo de bloqueo se libera automáticamente.



3 Botón de interruptor

Presione el botón para iniciar la herramienta y suéltelo para detenerla.

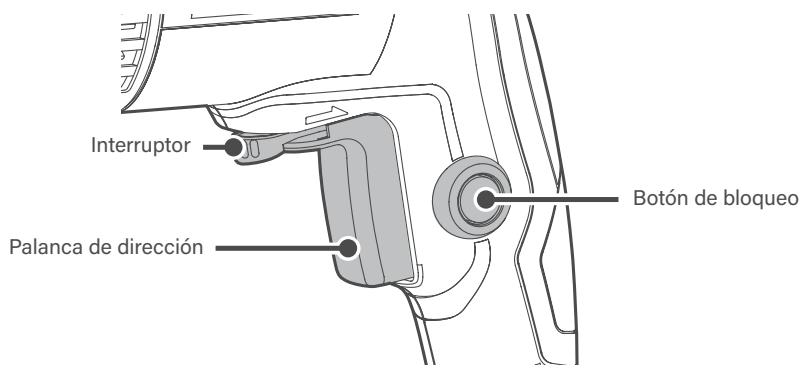
Botón de bloqueo de interruptor

Hasta que esté encendido: Presione el botón de interruptor, luego presione el botón de bloqueo para bloquear y entonces el taladro se podrá usar continuamente.

Apagado: Simplemente presione y suelte el botón de interruptor para detener la herramienta.

Palanca de dirección

El desplazamiento a la derecha de la palanca de dirección indica la rotación hacia delante, y su desplazamiento a la izquierda indica la rotación hacia atrás. No cambie en sentido de rotación durante la rotación de la herramienta hasta que se pare.



4 Control de velocidad variable

Presione el botón de interruptor para acelerar o desacelerar dependiendo del material y los accesorios a utilizar (esto también se puede hacer con un funcionamiento sin carga). Una velocidad más alta producirá menos par y viceversa.

5 Sugerencias para el uso del taladrado

Si la herramienta eléctrica se sobrecalienta, ponga la velocidad al máximo y deje que funcione en ralentí durante 2-3 minutos para enfriar el motor.

Al taladrar en metal, use únicamente puntas de acero de alta velocidad en buen estado.

Al usar una punta de atornillador corta, asegúrese de usar un manguito de broca magnético.

Use los orificios guía lo máximo posible antes de taladrar orificios de diámetro más grande en materiales metálicos.

Mantenimiento

⚠ Advertencia! Antes de realizar cualquier reemplazo en la máquina, asegúrese de desconectar primero el enchufe.

Esta herramienta eléctrica puede mantener el funcionamiento normal sin que se aplique aceite lubricante o se realice un mantenimiento especial. Realice un mantenimiento simple del taladro según los siguientes requisitos.

1. Limpie la máquina con un paño seco después de cada uso. Atención: No use nunca agua o productos químicos de limpieza para limpiar la máquina para no afectar al rendimiento de la carcasa de la máquina y evitar fugas eléctricas y otros accidentes.
2. Mantenga siempre la entrada de aire del motor limpia y sin obstáculos para evitar que se acumulen restos en la entrada de aire y alteren la refrigeración del motor.

Además, no la utilice en un entorno polvoriento. Si el cable de alimentación está dañado, debe ser sustituido por el fabricante, un centro de mantenimiento autorizado o personas con cualificación similar a fin de evitar un riesgo.

Protección medioambiental



Eliminación de basura

A fin de responder a la protección medioambiental, las máquinas dañadas, los accesorios y los materiales de embalaje se deben clasificar cuidadosamente para un reciclaje fácil. A fin de facilitar la clasificación y el reciclaje, todas las piezas de plástico están marcadas con materiales.

Tarjeta de garantía del producto

Estimados usuarios:

Gracias por comprar nuestros productos. Con el fin de garantizar su beneficio, los usuarios que compran nuestros productos pueden ponerse en contacto con el distribuidor local o las estaciones de reparación especificadas con factura(s) y tarjeta(s) de garantía si el producto falla debido a problemas de calidad.

Aviso de garantía:

1. De _____ (Año/Mes/Día) a _____ (Año/Mes/Día), Si la falla ocurre durante el uso normal, nuestra compañía ofrecerá garantía gratuita, reemplazo de piezas y otros servicios de acuerdo con la situación de la falla.
2. Esta tarjeta de garantía y la factura de compra son el comprobante del servicio posventa proporcionado por nuestra empresa a los clientes. La tarjeta debe detallarse solo después de completar el siguiente formulario y colocar el sello oficial del distribuidor.
3. En los siguientes casos, el servicio de garantía gratuito no será válido y se exigirán tarifas de mantenimiento:
 - (1) Exceder la fecha de vencimiento.
 - (2) Fallo o daño causado por no seguir los requisitos del manual del producto o un mantenimiento o almacenamiento inadecuados.
 - (3) Fallo o daño causado por el desmontaje, la reparación o la modificación del producto sin el permiso de nuestra empresa.
 - (4) Avería de la máquina o daños causados por fuerza mayor.
 - (5) Accesorios consumibles.

Esta tarjeta se emite con el producto. Una tarjeta por máquina; para garantizar que pueda disfrutar plenamente del derecho al servicio de garantía gratuito proporcionado por la empresa, guarde esta tarjeta debidamente, la pérdida no será reemplazada.

Fecha de compra: _____ (Año/Mes/Día)

Certificado de producto

Inspector:

01

Fecha de fabricación:

NINGBO DELI TOOLS CO., LTD.

N° 128 Chezhan West Road, Huangtan Town,

Ninghai County, Ningbo, Zhejiang, Chine

delitoolsglobal@nbdeli.com

www.delitoolsglobal.com

+86 574 87562689

FABRICADO EN CHINA

Reservado para uso futuro

Versión: 1.0

Fecha: Junio, 2022











Especificações

Modelo	DE-DZ10-1E	DE-DZ10-1G	DE-DZ10-2E	DE-DZ10-2G
Tensão nominal/frequência	220-240V~ 50/60Hz			
Potência nominal de entrada	500W			
Velocidade sem carga	0-3300r/min			
Capacidade máxima do mandril	10mm			
Tipo de mandril	sem chave		chave	
Capacidade máxima de perfuração	Madeira	25mm		
	Aço	10mm		
Classe de segurança	□/II			
Peso da máquina	1,3 kg			

- O fabricante reserva-se o direito de alterar as especificações sem aviso prévio.
- As especificações podem diferir de país para país.

Recomenda-se a seleção dos acessórios na loja onde a ferramenta elétrica é comprada. Selecione os acessórios corretos necessários para o seu trabalho. Consulte o pacote de acessórios para obter mais métodos e ajuda para a utilização.

Marcação

 Leia o manual	 Marca de aviso	 Duplo isolamento	 Use luvas de proteção
 Use abafadores auriculares de ruído	 Use óculos de proteção	 Use máscaras	 Não coloque dentro de água
 Madeira	 Chave de parafusos	 Baixa velocidade	 Não coloque no fogo
 Metal	 Orifício de perfuração	 Alta velocidade	 Bloqueio

Avisos gerais de segurança de ferramentas elétricas

AVISO Leia todos os avisos de segurança, instruções, ilustrações e especificações fornecidas com esta ferramenta elétrica.

O não cumprimento de todas as instruções listadas abaixo pode resultar em choque elétrico, incêndio e/ou ferimentos graves.

Guarde todos os avisos e instruções para referência futura.

O termo "ferramenta elétrica" dos avisos refere-se à sua ferramenta elétrica acionada a partir da rede elétrica (com fio) ou à ferramenta elétrica acionada a bateria (sem fio).

Segurança da área de trabalho

1. **Mantenha a área de trabalho limpa e bem iluminada.** Áreas desorganizadas ou escuras convidam a acidentes.
2. **Não opere ferramentas elétricas em atmosferas explosivas, tais como na presença de líquidos inflamáveis, gases ou pó.** As ferramentas elétricas criam faíscas que podem incendiar o pó ou os fumos.
3. **Mantenha as crianças e todos os presentes afastados durante o funcionamento de uma ferramenta elétrica.** As distrações podem causar a perda de controlo.

Segurança elétrica

- As fichas das ferramentas elétricas devem corresponder à tomada. Nunca modifique a ficha de forma alguma. Não utilize fichas adaptadoras com ferramentas elétricas ligadas à terra.** Fichas sem alterações e as tomadas correspondentes reduzirão o risco de choque elétrico.
 - Evite o contacto do corpo com superfícies de ligação à terra ou aterradas, tais como tubos, radiadores, grelhas e refrigeradores.** Existe um risco acrescido de choque elétrico se o seu corpo estiver ligado à terra.
 - Não exponha ferramentas elétricas a condições de chuva ou humidade.** A entrada de água numa ferramenta elétrica irá aumentar o risco de choque elétrico.
 - Não maltrate o cabo. Nunca utilize o cabo para transportar, puxar ou desligar a ferramenta elétrica. Mantenha o cabo longe do calor, óleo, arestas afiadas ou peças móveis.** Os cabos danificados ou enredados aumentam o risco de choque elétrico.
 - Ao operar uma ferramenta elétrica ao ar livre, utilize um cabo de extensão adequado para utilização ao ar livre.** A utilização de um cabo adequado para o exterior reduz o risco de choque elétrico.
 - Se operar uma ferramenta elétrica num local húmido for inevitável, utilize um dispositivo de corrente residual (DCR) para alimentação protegida.** A utilização de um DCR reduz o risco de choque elétrico.
- o interruptor ou ligar a energia de ferramentas elétricas que tenham o interruptor ligado convida a acidentes.
 - Remova qualquer chave inglesa ou chave de ajuste antes de ligar a ferramenta elétrica.** Uma chave inglesa ou uma chave de ajuste deixada presa a uma parte rotativa da ferramenta elétrica pode resultar em ferimentos pessoais.
 - Não exagere o alcance. Mantenha sempre os pés assentes e o equilíbrio adequado.** Isto permite um melhor controlo da ferramenta elétrica em situações inesperadas.
 - Vista-se adequadamente. Não use roupa solta ou joias. Mantenha o cabelo e a roupa longe de peças móveis.** Roupas soltas, joias ou cabelo comprido podem ser apanhados por peças em movimento.
 - Se forem fornecidos dispositivos para a ligação de instalações de extração e recolha de pó, certifique-se de que estes estão ligados e são devidamente utilizados.** A utilização de dispositivos de recolha de poeira pode reduzir os perigos relacionados com o pó.
 - Não deixe que a familiaridade adquirida com o uso frequente de ferramentas lhe permita tornar-se complacente e ignorar os princípios de segurança das ferramentas.** Uma ação descuidada pode causar lesões graves numa fração de segundo.

Segurança pessoal

- Fique atento, observe o que está a fazer e use o bom senso ao operar uma ferramenta elétrica. Não utilize uma ferramenta elétrica quando estiver cansado ou sob a influência de drogas, álcool ou medicamentos.** Um momento de desatenção durante a utilização de uma ferramenta elétrica pode resultar em sérios danos pessoais.
 - Utilize equipamento de proteção pessoal. Use sempre equipamento de proteção para os olhos.** O equipamento de proteção, como uma máscara de proteção contra o pó, sapatos de segurança antiderrapantes, capacete ou proteção auditiva utilizados em condições apropriadas, reduzirá os ferimentos pessoais.
 - Evite o arranque involuntário. Assegure-se de que o interruptor está na posição de desligado antes de ligar à fonte de alimentação e/ou bateria, e antes de pegar ou transportar a ferramenta.** Transportar ferramentas elétricas com o dedo
- Não force a ferramenta elétrica. Utilize a ferramenta elétrica correta para a sua aplicação.** A ferramenta elétrica correta fará o trabalho melhor e de forma mais segura ao ritmo para o qual foi concebida.
 - Não utilize a ferramenta elétrica se o interruptor não se ligar e desligar.** Qualquer ferramenta elétrica que não possa ser controlada com o interruptor é perigosa e deve ser reparada.
 - Desligue a ficha da fonte de alimentação e/ou remova a bateria da ferramenta elétrica, se esta for destacável, antes de fazer quaisquer ajustes, trocar acessórios ou de armazenar as ferramentas elétricas.** Tais medidas preventivas de segurança reduzem o risco de arranque acidental da ferramenta elétrica.
 - Armazene as ferramentas elétricas inativas fora do alcance das crianças e não permita que pessoas não familiarizadas com elas ou com estas instruções operem as ferramentas elétricas.** As ferramentas elétricas são perigosas nas mãos de utilizadores não treinados.

Uso e cuidados a ter com ferramentas elétricas

5. **Manutenção das ferramentas elétricas e acessórios. Verifique se há desalinhamento de peças móveis ou se estas estão coladas, se existem peças quebradas e qualquer outra condição que possa afetar o funcionamento da ferramenta elétrica. Em caso de danos, mande reparar a ferramenta elétrica antes de a utilizar.** Muitos acidentes são causados por ferramentas elétricas com manutenção deficiente.
6. **Mantenha as ferramentas de corte afiadas e limpas.** As ferramentas de corte com arestas cortantes afiadas com manutenção adequada têm menos probabilidades de se colarem e são mais fáceis de controlar.
7. **Utilize a ferramenta elétrica, acessórios e peças da ferramenta, etc., de acordo com estas instruções, tendo em conta as condições específicas e o trabalho a ser realizado.** A utilização da ferramenta elétrica para operações diferentes daquelas para as quais foi concebida pode resultar numa situação perigosa.
8. **Mantenha as pegas e as superfícies para agarrar secas, limpas e isentas de óleo e gordura.** As pegas e as superfícies de agarrar escorregadias não permitem um manuseamento e controlo seguros da ferramenta em situações inesperadas.

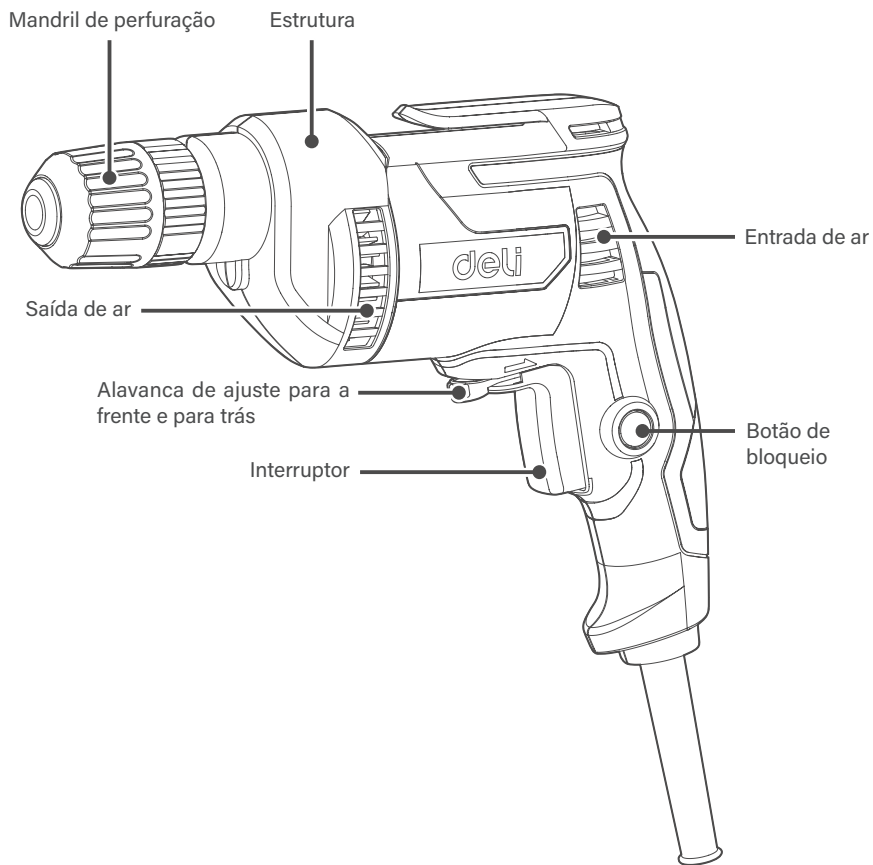
Manutenção

1. **Faça a manutenção da sua ferramenta elétrica por um técnico de reparação qualificado, utilizando apenas peças de substituição idênticas.** Isto garantirá que a segurança da ferramenta elétrica é mantida.

Instruções adicionais de segurança para a Furadora

Geral

Segure a ferramenta elétrica apenas pelas superfícies de agarrar isoladas, ao executar uma operação em que o acessório de corte possa entrar em contacto com cabos escondidos ou com o seu próprio cabo. O acessório de corte em contacto com um fio "vivo" pode tornar "vivas" as partes metálicas expostas da ferramenta elétrica e pode causar um choque elétrico ao operador.



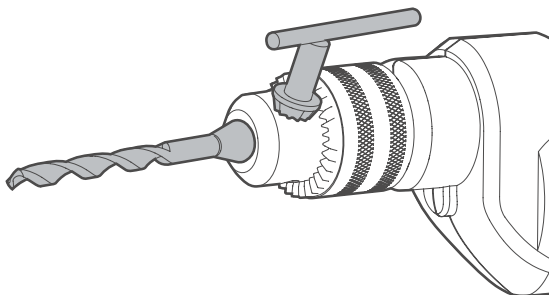
Instruções de Funcionamento

AVISO: Leia atentamente o manual antes de operar.

Aplicação: Este berbequim é aplicável para apertar e desapertar parafusos, bem como para perfurar em madeira, metal e plástico.

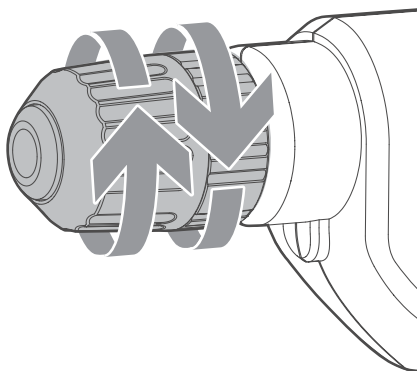
1 Introduza a ferramenta no mandril

Insira a ferramenta e aperte os 3 furos uniformemente com a chave de abertura do mandril. (apenas para mandris com chaves).



2 Mandril sem chave

Segure o anel do eixo traseiro do mandril sem chave e rode o eixo da frente até que o mandril esteja suficientemente aberto para inserir a ferramenta. Insira a ferramenta no mandril. Segure o anel do eixo traseiro e rode manualmente o anel do eixo dianteiro até este ser apertado. Quando o anel do eixo frontal é rodado no sentido oposto para remover a ferramenta, o mecanismo de bloqueio liberta-se automaticamente.



3 Botão do interruptor

Prima o botão para iniciar a ferramenta e liberte-a para parar.

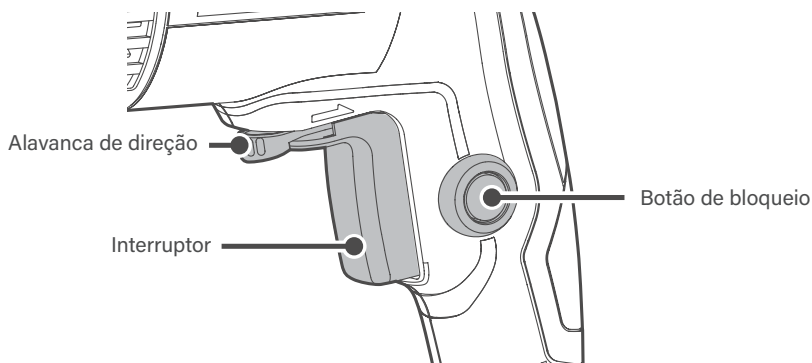
Botão de bloqueio do interruptor

Até estar ligado: Prima o botão do interruptor, depois prima o botão de bloqueio ligado para travar, podendo então começar a usar o berbequim continuamente.

Desligado: Basta premir e soltar o botão do interruptor para fazer parar a ferramenta.

Alavanca de direção

O deslocamento para a direita da alavanca de direção indica a rotação para a frente e o seu deslocamento para a esquerda indica a rotação inversa. Não altere o sentido de rotação durante a rotação da ferramenta até que esta pare.



4 Controlo de velocidade variável

Prima o botão do interruptor para acelerar ou desacelerar dependendo do material e acessórios a utilizar (isto também pode ser feito durante a operação sem carga). Uma velocidade mais alta produzirá menos torque e vice-versa.

5 Dicas para a operação de perfuração

Se a ferramenta elétrica sobreaquecer, defina a velocidade máxima e a marcha lenta durante 2 a 3 minutos, para arrefecer o motor.

Durante a perfuração em metal, só devem ser utilizados bits de aço de alta velocidade em bom estado.

Durante a utilização do bit de chave de fendas curto, não se esqueça de usar uma manga de broca magnética.

Os orifícios-guia devem ser utilizados, tanto quanto possível, antes de se fazerem furos de maior diâmetro em materiais metálicos.

Manutenção

⚠ Aviso! Antes de efetuar qualquer trabalho de substituição na máquina, certifique-se primeiro de que desligou a ficha da corrente elétrica.

Esta ferramenta elétrica pode manter o funcionamento normal sem ter de aplicar óleo lubrificante ou fazer qualquer manutenção especial. Efetue uma manutenção simples do berbequim, de acordo com os seguintes requisitos.

1. Limpe a máquina com um trapo seco após a utilização. Atenção: Nunca utilize água ou agentes químicos de limpeza para limpar a máquina, para não afetar o desempenho da estrutura da máquina ou causar fugas elétricas e outros acidentes.
2. Mantenha sempre a entrada de ar do motor limpa e desobstruída para evitar a acumulação de detritos na entrada de ar e não afetar o arrefecimento do motor.

Além disso, tente não utilizar o equipamento em ambientes poeirentos. Se o cabo de alimentação estiver danificado, para evitar qualquer perigo, deve ser substituído pelo fabricante, por um centro de manutenção autorizado ou por profissionais qualificados equivalentes.

Proteção ambiental



Eliminação de resíduos

A fim de responder à proteção ambiental, as máquinas, acessórios e materiais de embalagem danificados devem ser cuidadosamente selecionados para facilitar a reciclagem. A fim de facilitar a triagem e a reciclagem, todas as peças plásticas estão marcadas com materiais.

Cartão de Garantia de Produto

Caros utilizadores:

Obrigado pela compra dos nossos produtos. A fim de garantir o benefício da sua compra, os utilizadores que compram os nossos produtos podem contactar o distribuidor local ou os pontos de reparação especificados com a fatura e os cartões de garantia se o produto falhar devido a problemas de qualidade.

Aviso de Garantia:

1. A partir de _____ (Ano/Mês/Dia) até _____ (Ano/Mês/Dia), Se a falha acontecer numa utilização normal, a nossa empresa fornecerá garantia gratuita, substituição de peças e outros serviços de acordo com a situação da falha.
2. Este cartão de garantia e a fatura de compra são o comprovativo do serviço pós-venda fornecido pela nossa empresa aos clientes. O cartão só deve ser detalhado depois de preencher o seguinte formulário e fazer apor o selo oficial junto do distribuidor.
3. Em qualquer dos seguintes casos, o serviço de garantia gratuito será inválido e será necessário o pagamento de taxas de manutenção:
 - (1) Ultrapassada a data de validade da garantia.
 - (2) Falha ou danos causados por não terem sido seguidos os requisitos do manual do produto e/ou manutenção ou armazenamento inadequados.
 - (3) Avarias ou danos causados pela desmontagem, reparação ou modificação do produto sem a permissão da nossa empresa.
 - (4) Avaria do aparelho ou danos causados por motivo de força maior.
 - (5) Acessórios consumíveis.

Este cartão é emitido com o produto. Um cartão para cada máquina, para garantir que pode usufruir plenamente do direito ao serviço de garantia gratuito prestado pela empresa. Por favor, mantenha este cartão devidamente guardado, pois um cartão perdido não será substituído.

Data de compra: _____ (Ano/Mês/Dia)

Certificado de producto

Inspector:

01

Fecha de fabricación:

NINGBO DELI TOOLS CO., LTD.

N° 128 Chezhan West Road, Huangtan Town,

Ninghai County, Ningbo, Zhejiang, China

delitoolsglobal@nbdeli.com

www.delitoolsglobal.com

+86 574 87562689

FABRICADO EN CHINA

Reservado para uso futuro

Versión: 1.0

Fecha: Junio, 2022

















Технические характеристики

Модель		DE-DZ10-1E	DE-DZ10-1G	DE-DZ10-2E	DE-DZ10-2G
Номинальное напряжение/частота		220-240В~ 50/60Гц			
Номинальная входная мощность		500 Вт			
Частота вращения без нагрузки		0–3300 об/мин			
Тип патрона		10 мм			
Макс. диаметр насадок, вставляемых в патрон		без ключа		ключ	
Макс. толщина сверления	Древесина	25 мм			
	Сталь	10 мм			
Класс безопасности		□/II			
Вес устройства		1,3 кг			

- Производитель оставляет за собой право изменять технические характеристики без предварительного уведомления.
- Технические характеристики могут различаться в зависимости от страны.

Принадлежности рекомендуется выбирать в магазине, в котором покупается электроинструмент. Выберите правильные принадлежности, необходимые для вашей работы. Дополнительные методы и инструкции по использованию см. в описании принадлежностей.

Условные обозначения

 Прочитать руководство	 Warning sign	 Двойная изоляция	 Использовать защитные перчатки
 Использовать звукозащитные наушники	 Использовать защитные очки	 Носить маску	 Не погружать в воду
 Древесина	 Режим шуруповерта	 Низкая скорость	 Не класть в огонь
 Металл	 Сверление	 Высокая скорость	 Блокировка

Общие предупреждения по технике безопасности при обращении с электроинструментом

ПРЕДУПРЕЖДЕНИЕ. Ознакомьтесь со всеми предупреждениями по технике безопасности, инструкциями, иллюстрациями и спецификациями, прилагаемые к этому электроинструменту.

Несоблюдение любых из перечисленных ниже инструкций может стать причиной поражения электрическим током, возгорания и/или тяжелых травм.

Сохраните все предупреждения и инструкции

для обращения к ним в будущем.

Термин «электроинструмент» в предупреждениях относится к электроинструменту, работающему от сети (проводному), или к электроинструменту, работающему от аккумулятора (беспроводному).

Безопасность рабочей зоны

1. Следите за тем, чтобы рабочее место было чистым и хорошо освещенным. Загроможденные и плохо освещенное рабочее место может стать причиной несчастных случаев.

2. **Не используйте электроинструменты во взрывоопасных средах, например в присутствии легковоспламеняющихся жидкостей, газов или пыли.**
Электроинструменты создают искры, которые могут воспалить пыль или пары.
3. **Во время работы с электроинструментом не позволяйте детям и посторонним лицам приближаться к рабочей зоне.**
Отвлекающие факторы могут привести к потере контроля над электроинструментом.

Электрическая безопасность

1. **Вилки электроинструмента должны соответствовать розетке. Ни в коем случае не модифицируйте вилку.**
Запрещено использование переходников для подключения заземленных электроинструментов. Использование немодифицированных вилок и соответствующих им розеток снижает риск поражения электрическим током.
2. **Не прикасайтесь к заземленным предметам, таким как трубы, отопительные батареи, кухонные плиты и холодильники.**
Это уменьшит риск поражения электрическим током.
3. **Не допускайте попадания влаги на электроинструмент и не используйте его во влажной среде.**
Попадание воды в электроинструмент повышает риск поражения электрическим током.
4. **Будьте осторожны с сетевым шнуром.**
Запрещается использовать сетевой шнур для переноски, перемещения или отключения электроинструмента от сети. Держите сетевой шнур вдали от источников тепла, масла, острых краев и движущихся частей. Поврежденный или запутанный сетевой шнур повышает риск поражения электрическим током.
- e) **При работе с электроинструментом на открытом воздухе используйте удлинитель, подходящий для использования вне помещений.**
Использование удлинителя, предназначенного для наружных работ, снижает риск поражения электрическим током.
- f) **При необходимости выполнять работы во влажной среде используйте источник электропитания, оборудованный устройством защитного отключения (УЗО).**
Использование УЗО снижает риск поражения электрическим током.

Личная безопасность

1. **При работе с электроинструментом будьте внимательны, следите за своими действиями и руководствуйтесь**

здравым смыслом. Не работайте с электроинструментом, если вы утомлены, находитесь в состоянии алкогольного, наркотического опьянения или под воздействием лекарственных средств. Малейшая невнимательность при работе с электроинструментом может привести к серьезной травме.

2. **Используйте средства индивидуальной защиты. Всегда надевайте средства защиты глаз.**
Средства индивидуальной защиты, такие как респиратор, защитная обувь с нескользящей подошвой, каска, средства защиты органов слуха, помогут вам избежать травм.
3. **Не допускайте случайного запуска.**
Убедитесь, что выключатель находится в выключенном положении, перед тем как подключаться к источнику питания, брать или переносить электроинструмент. Переноска электроинструмента с пальцем на выключателе или подключение к источнику питания во включенном состоянии может привести к несчастному случаю.
4. **Перед включением электроинструмента снимите с него регулировочные и гаечные ключи.**
Ключ, оставшийся на вращающейся части электроинструмента, может привести к травме.
5. **Не тянитесь слишком далеко. Всегда сохраняйте надлежащую опору и равновесие.**
Это позволяет лучше контролировать электроинструмент в непредвиденных ситуациях.
6. **Одевайтесь правильно. Не носите свободную одежду и украшения. Держите волосы и одежду подальше от движущихся частей.**
Свободная одежда, украшения или небритые волосы могут попасть в движущиеся части.
7. **Если предусмотрены устройства для подключения приспособлений для удаления и сбора пыли, следите за тем, чтобы такие приспособления подключались и использовались надлежащим образом.**
Использование пылеулавливающей системы может снизить влияние опасных факторов.
8. **Не допускайте того, чтобы в результате приобретенного опыта работы с электроинструментами вы потеряли бдительность и игнорировали технику безопасности.**
Неосторожное действие может привести к серьезной травме в течение доли секунды.

Эксплуатация электроинструмента и уход за ним

1. **Не перегружайте электроинструмент.**
Правильно подбирайте электроинструмент

- для работы.** Правильно подобранный электроинструмент лучше и безопаснее выполняет работу на предусмотренных оборотах.
- 2. Не используйте электроинструмент, если его невозможно включить и выключить выключателем.** Любой электроинструмент, которым нельзя управлять с помощью выключателя, опасен и подлежит ремонту.
 - 3. Отсоедините вилку от источника питания и/или извлеките из электроинструмента аккумуляторную батарею, если она съемная, прежде чем выполнять настройку, менять насадки или помещать электроинструмент на хранение.** Такие превентивные меры безопасности снижают риск случайного включения электроинструмента.
 - 4. Храните неиспользуемые электроинструменты в недоступном для детей месте и не позволяйте лицам, не знакомым с электроинструментом или данными инструкциями, работать с электроинструментом.** Электроинструменты опасны в руках неподготовленных пользователей.
 - 5. Поддерживайте электроинструменты и насадки в надлежащем рабочем состоянии. Проверьте движущиеся детали на предмет несоосности или заедания, выявите сломанные детали и другие условия, которые могут повлиять на работу электроинструмента. В случае повреждения отремонтируйте электроинструмент перед использованием.** Многие несчастные случаи вызваны плохим обслуживанием электроинструмента.
 - 6. Держите режущие инструменты в заточенном и чистом состоянии.** Правильно обслуживаемые режущие инструменты с острыми режущими кромками с меньшей вероятностью заедают, и ими легче управлять.
 - 7. Используйте электроинструмент, принадлежности, насадки и т. д. в соответствии с настоящей инструкцией, принимая во внимание рабочие условия и выполняемую работу.** Использование электроинструмента для операций, отличных от предусмотренных, может привести к возникновению опасной ситуации.
 - 8. Держите ручки и поверхности для захвата сухими, чистыми и не допускайте попадания на них смазки.** Скользкие ручки и поверхности для захвата не позволяют безопасно обращаться с инструментом и контролировать его в непредвиденных ситуациях.

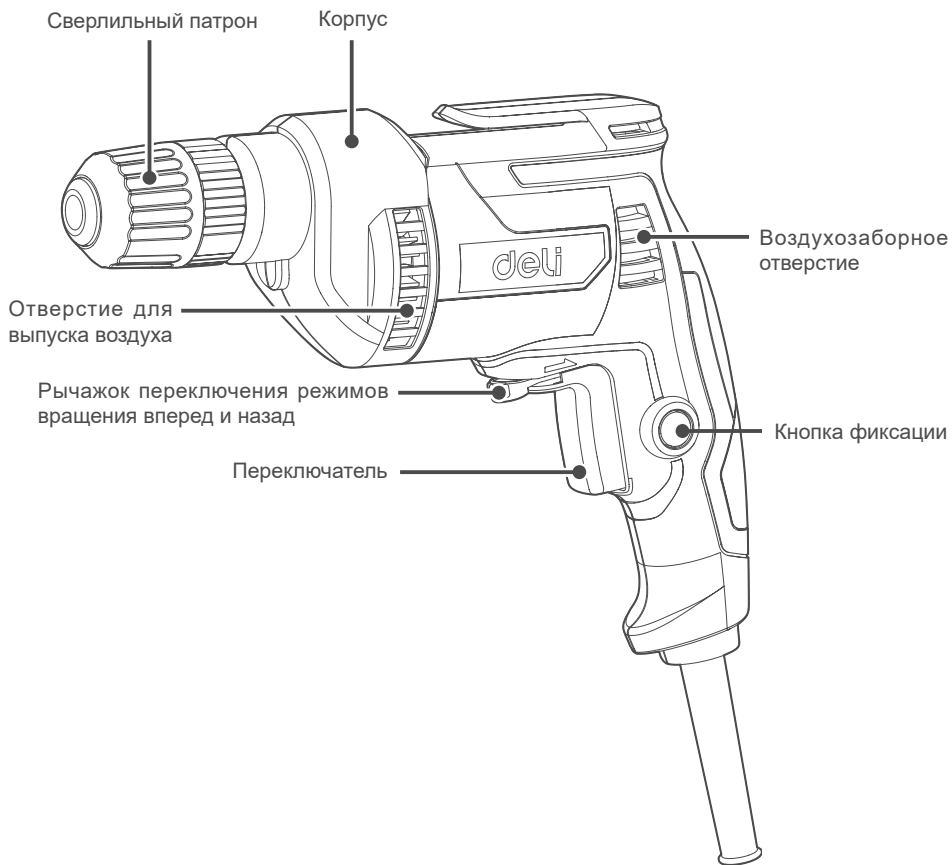
Обслуживание

- 1. Доверяйте обслуживание электроинструмента квалифицированному специалисту и используйте только оригинальные запасные части.** Это обеспечит безопасность электроинструмента.

Дополнительные инструкции по технике безопасности для электродрели

Общие предупреждения

В случаях, когда возможен контакт отрезного диска со скрытой электрической проводкой или собственным шнуром питания, держите электроинструмент за изолированную поверхность захвата. Контакт режущей части с проводами под напряжением может привести к тому, что открытые части электроинструмента окажутся под напряжением, что способно стать причиной поражения электрическим током.

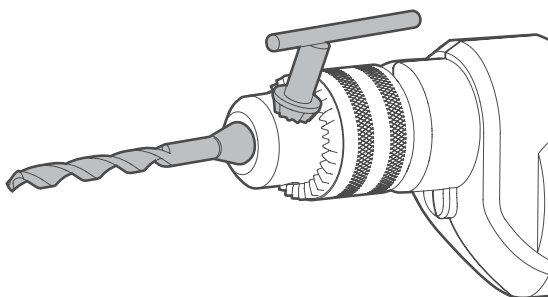


ПРЕДУПРЕЖДЕНИЕ! Перед эксплуатацией внимательно прочитайте руководство.

Назначение: данная дрель предназначена для закручивания и выкручивания винтов, а также для сверления древесины, металла и пластика.

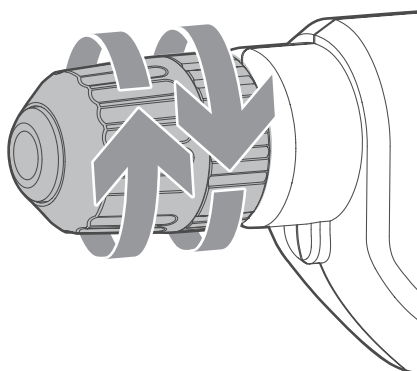
1 Установите насадку в патрон

Вставьте насадку и равномерно затяните все 3 отверстия с помощью ключа патрона (только для патронов с ключами).



2 Быстрозажимной патрон

Удерживая заднее кольцо оси быстрозажимного патрона, поворачивайте переднее кольцо, пока патрон не откроется достаточно, чтобы можно было вставить насадку. Вставьте насадку в патрон. Удерживая заднее кольцо оси, вручную вращайте переднее кольцо, пока оно не будет затянуто. При повороте переднего кольца оси в противоположном направлении для извлечения насадки механизм блокировки автоматически разблокируется.



3 Кнопка-переключатель

Нажмите кнопку для включения инструмента и отпустите для его выключения.

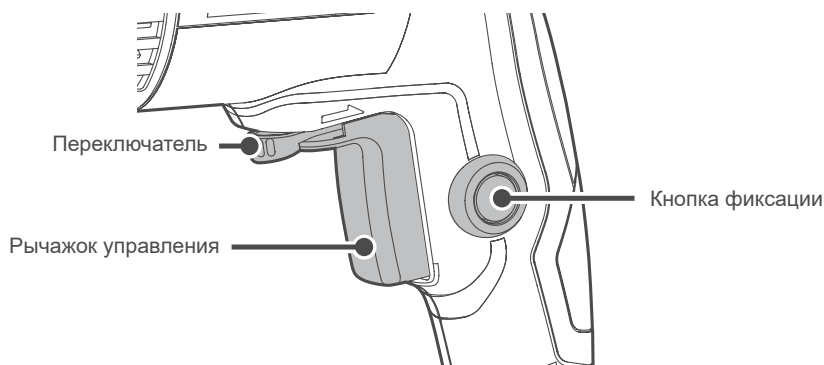
Кнопка фиксации переключателя

Во включенном состоянии: нажмите кнопку-переключатель, а затем кнопку фиксации. После этого патрон дрели будет вращаться постоянно.

Выключение: просто нажмите и отпустите кнопку-переключатель для остановки инструмента.

Рычажок управления

Смещение рычажка управления вправо обеспечивает вращение вперед, а смещение влево — вращение назад. Не меняйте направление вращения во время вращения патрона до его остановки.



4 Управление регулируемой скоростью

Нажмите кнопку-переключатель для увеличения или уменьшения скорости вращения патрона в зависимости от материала и используемых принадлежностей (это также можно сделать в режиме работы без нагрузки). Более высокая скорость вращения обеспечивает меньший крутящий момент и наоборот.

5 Советы по сверлению


Если электроинструмент перегрелся, установите максимальную скорость и дайте ему поработать на холостом ходу 2–3 минуты для охлаждения электродвигателя.

При сверлении металла следует использовать только исправные сверла из быстрорежущей стали.

При использовании короткой биты обязательно применяйте магнитную втулку.

Перед сверлением отверстий большего диаметра в металлических материалах следует просверлить направляющие отверстия.

Техническое обслуживание

 **Предупреждение!** Перед заменой любых деталей электроинструмента сначала вытащите вилку из розетки.

Этот электроинструмент может нормально работать без нанесения смазочного масла или специального обслуживания. Выполняйте простое обслуживание дрели в соответствии с приведенными ниже инструкциями.

1. После использования протрите дрель сухой тряпкой. Внимание! Никогда не используйте воду или химические чистящие средства для очистки дрели. Это может повредить корпус дрели или вызвать удар электрическим током и другие несчастные случаи.
2. Всегда держите воздухозаборное отверстие двигателя чистым и свободным, поскольку блокирование отверстия мусором ухудшает охлаждения двигателя.

Кроме того, старайтесь не использовать электроинструмент в пыльной среде. Если шнур питания поврежден, во избежание опасности он должен быть заменен изготовителем, авторизованным центром технического обслуживания или квалифицированным специалистом.

Защита окружающей среды



Утилизация отходов

В целях защиты окружающей среды, поврежденные устройства, принадлежности и упаковочные материалы должны быть тщательно отсортированы для упрощения их переработки. Для облегчения сортировки и переработки, на всех пластмассовых деталях указывается используемый материал.

Гарантийный талон продукта

Уважаемые пользователи!

Благодарим вас за приобретение нашей продукции. Если приобретенное вами изделие вышло из строя из-за проблем с качеством, вы можете обратиться к местному дистрибьютору или в указанные пункты ремонта, приложив счет-фактуру и гарантийные талоны.

Гарантийное уведомление:

1. От _____ (год/месяц/день) до _____ (год/месяц/день), Если выход из строя произошел при обычном использовании, наша компания предоставит бесплатную гарантию, замену деталей и другие услуги в зависимости от характера поломки.
2. Настоящий гарантийный талон и счет-фактура являются ваучером послепродажного обслуживания, предоставляемого нашей компанией клиентам. Вносить данные в талон следует только после заполнения следующей формы и скрепления официальной печатью дистрибьютора.
3. При возникновении одного из следующих случаев бесплатное гарантийное обслуживание является недействительным и взимается плата за ремонт:
 - (1) Истек срок службы изделия.
 - (2) Неисправность или повреждение вызванные несоблюдением требований руководства по эксплуатации изделия, техническому обслуживанию или неправильными условиями хранения.
 - (3) Неисправность или повреждение вызванные разборкой, ремонтом или модификацией изделия без разрешения нашей компании.
 - (4) Поломка или повреждение изделия, вызванные форс-мажорными обстоятельствами.
 - (5) Расходные материалы и принадлежности.

Настоящий талон выдан вместе с изделием. Один талон на одно изделие. Чтобы в полной мере воспользоваться правом на бесплатное гарантийное обслуживание, предоставляемое компанией, необходимо сохранить талон в целостности, утерянный талон замене не подлежит.

Дата покупки: _____ (год/месяц/день)

Сертификат продукции

Контролирующий орган:

01

Дата производства:

NINGBO DELI TOOLS CO., LTD.

№ 128 Chezhan West Road, Huangtan Town,

Ninghai County, Ningbo, Zhejiang, Chine

delitoolsglobal@nbdeli.com

www.delitoolsglobal.com

+86 574 87562689

СДЕЛАНО В КИТАЕ

Сохранено для будущего использования

Версия: 1.0

Дата: июнь 2022 г.



DE-DZ10-2G	DE-DZ10-2E	DE-DZ10-1G	DE-DZ10-1E	الطرز
220-240 فولطه ~ 50/60 هيرتز				الفولتية المقدره/ التردد المقدر
500 واط				القدرة الكهربائية المقدره للإدخال
0-3300 دورة / دقيقة				السرعة دون تحميل
10 ملم				السعة القصوى لقامط لقمه/ بنطه المثقاب
مفتاح		بدون مفتاح		تشاك نوع
25 ملم				القدرة القصوى للحفر
10 ملم				
II/III				فئة السلامة
1.3 كجم				وزن الماكينة

- تحتفظ الجهة المصنعة بالحق في تغيير المواصفات دون إشعار مسبق.
- قد تختلف هذه المواصفات من بلد إلى آخر.

يُنصح باختيار الملحقات من مكان الشراء الأصلي للأداة الكهربائية. يرجى اختيار الملحقات الصحيحة التي تحتاجها لإنجاز عملك. يرجى الاطلاع على حزمة الملحقات للحصول على طرق ونصائح إضافية للاستخدام.

الرموز

يرجى ارتداء القفازات الواقية 	عزل مزدوج 	علامة التحذير 	اقرأ دليل التعليمات 
لا تضع هذه الأداة الكهربائية في الماء 	يرجى ارتداء قناع الوقاية 	يرجى ارتداء نظارات السلامة 	يرجى ارتداء واقبات 
لا تضع هذه الأداة الكهربائية في النار 	سرعة منخفضة 	مفك البراغي 	المنتجات الخشبية 
قفل 	سرعة عالية 	فتحة الثقب 	معادن 

تحذيرات السلامة العامة للأداة الكهربائية

تحذير احرص على قراءة جميع تحذيرات السلامة والتعليمات والرسوم التوضيحية والمواصفات المتوفرة مع الأداة الكهربائية هذه. فقد يؤدي عدم اتباع جميع التعليمات المدرجة أدناه إلى حدوث صدمة كهربائية أو نشوب حريق و/أو التسبب في حدوث إصابة بالغة. احتفظ بجميع التحذيرات والتعليمات لاستخدامها كمرجع في المستقبل. يشير مصطلح "الأداة الكهربائية" في التحذيرات إلى الأدوات التي تعمل بالكهرباء (السلوكية) أو التي تعمل بالبطارية (اللاسلكية).

سلامة منطقة العمل

1. حافظ على مساحة العمل نظيفة وجيدة الإضاءة. المناطق الفوضوية أو المظلمة قد تسبب في وقوع الحوادث.

2. لا تقم بتشغيل الأدوات الكهربائية في الأجواء المتفجرة، مثل وجود سوائل قابلة للاشتعال أو غازات أو غبار. ينتج عن الأدوات الكهربائية شرارات قد تتسبب في اشتعال الغبار أو الأبخرة.
3. احرص على إبقاء الأطفال والمارة بعيدًا أثناء تشغيل الأداة الكهربائية. قد تفقد السيطرة نتيجة التشتت.

السلامة الكهربائية

1. يجب أن تتناسب مقابس الآلة الكهربائية مع المنفذ. ممنوع تمامًا تعديل المقابس بأي شكل من الأشكال. لا تستخدم أي مقابس تحويل مع الأداة الكهربائية المؤرضة. المقابس غير المحولة والمخارج الكهربائية المطابقة تقلل من خطر التعرض للصعق الكهربائي.

3. أفضل القابس عن مصدر الطاقة و / أو اخرج حزمة البطارية من الاداة الكهربائية قبل إجراء أي تعديلات أو تغيير للملحقات أو عند تخزين الأدوات الكهربائية. حيث تعمل مثل هذه الإجراءات الوقائية على الحد من خطر التشغيل المفاجئ للآلة.
4. قم بتخزين الآلات الكهربائية المعطلة بعيداً عن متناول الأطفال مع عدم السماح لأي شخص ليس على دراية بكيفية استخدام الآلة الكهربائية أو بتعليمات تشغيلها. تصبح الأدوات الكهربائية خطيرة عندما تكون في أيدي غير المدربين.
5. احرص على صيانة الآلة الكهربائية وملحقاتها. تحقق من عدم وجود أي عائق أو تعارض بين الأجزاء المتحركة ، وعدم وجود أي كسر في القطع وأي حالة أخرى قد تؤثر على تشغيل الأدوات الكهربائية. في حالة تلف الآلة الكهربائية، قم بإصلاح الآلة قبل الاستخدام. سوء صيانة الأدوات الكهربائية يتسبب في العديد من الحوادث.
6. حافظ على أدوات القطع حادة ونظيفة. أدوات القطع ذات الحواف الحادة التي يتم صيانتها بشكل صحيح تكون أقل عرضة للتلف وأسهل في التحكم بها.
7. استخدم الآلة الكهربائية والملحقات والريش وما إلى ذلك وفقاً لهذه التعليمات، مع مراعاة ظروف العمل والعمل الذي يتعين القيام به. استخدام الآلة الكهربائية في تنفيذ مهام مختلفة عما صُممت من أجله قد يتسبب عنه أوضاع خطيرة.
8. حافظ على المقابض وأسطح الإمساك جافة ونظيفة وخالية من الزيوت والشحوم. لا تسمح المقابض الزلقة وأسطح الإمساك بالتعامل الآمن مع الآلة والتحكم فيها في المواقف غير المتوقعة.

الخدمة

1. لا تقم بصيانة اداتك الكهربائية إلا بواسطة فني إصلاح مؤهل لاستخدام قطع غير متطابقة. وذلك للحفاظ على سلامة الآلة الكهربائية.
- تعليمات السلامة الإضافية للاستخدام الآمن للمنتج
- عام
- امسك الآلة الكهربائية بمقابض ذات أسطح عازلة فقط عند التشغيل حيث يمكن أن تصل أداة القطع إلى أسلاك غير ظاهرة أو كابل الطاقة الخاص بها. قد يؤدي قطع الملحقات الملامسة للأسلاك "المكهربة" إلى جعل الأجزاء المعدنية المكشوفة من أداة الطاقة "المكهربة" وقد يصيب المشغل بصدمة كهربائية.

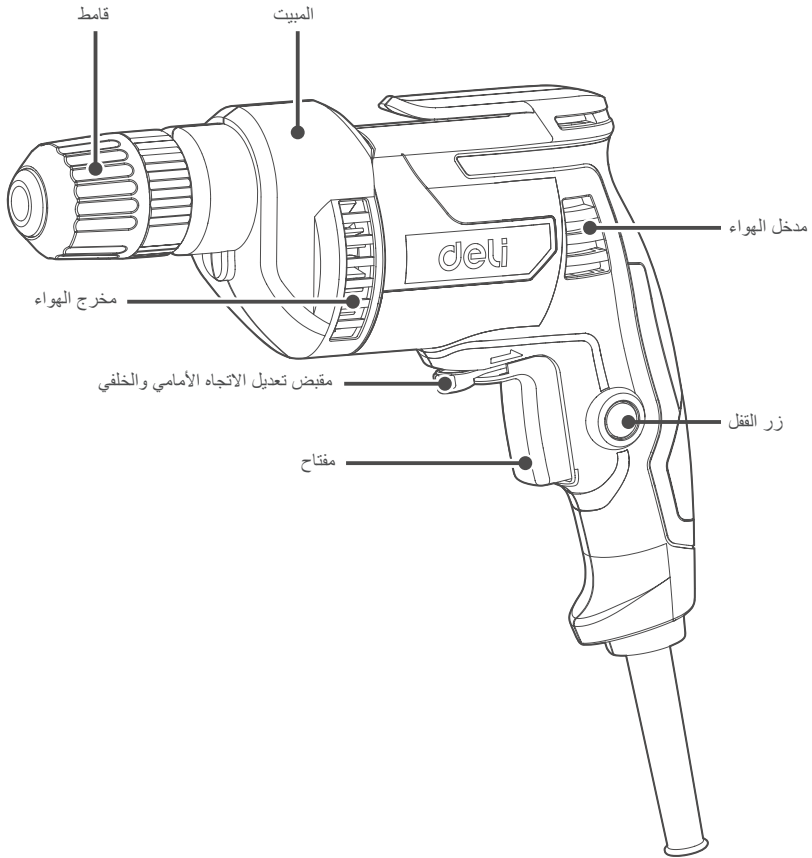
2. تجنب ملامسة جسدك للأسطح المؤرضة، مثل الأبواب والمشعات والمواقف والتلجالات. يتزايد خطر التعرض للصعق الكهربائي في حالة تأريض جسدك.
3. لا تعرض الآلة الكهربائية للمطر أو الظروف الجوية الرطبة. دخول المياه إلى الآلة الكهربائية يزيد من خطر التعرض للصعق الكهربائي.
4. لا تسمي استعمال السلك الكهربائي. ممنوع تماماً حمل الآلة الكهربائية أو سحبها أو فصلها باستخدام السلك. ابعدها عن الحرارة أو الشحوم أو الحواف الحادة أو الأجزاء المتحركة. الأسلاك التالفة أو المتشابكة تزيد من خطر التعرض للصعق الكهربائي.
5. يرجى استخدام كابل إطالة مناسب للاستخدام الخارجي، عند تشغيل الآلة الكهربائية في الهواء الطلق. استخدام سلك مناسب للاستخدام في المناطق الخارجية يقلل من خطر التعرض للصعق الكهربائي.
6. في حال أصبح تشغيل الآلة في مكان رطب أمراً لا مفر منه، استخدم وحدة إمداد كهربائية محمية بالتيار المتبقي (RCD). استخدم قاطع دائرة التيار المتبقي (RCD) يقلل من خطر التعرض للصعق الكهربائي.

السلامة الشخصية

1. كن حذراً، وانتبه لما تقوم به وانتبه عند تشغيلك للآلة الكهربائية. لا تستخدم الآلة الكهربائية إذا كنت مرهقاً أو تحت تأثير العقاقير أو الكحوليات أو الأدوية. قد تؤدي الغفلة للحظة واحدة أثناء تشغيل الأدوات الكهربائية إلى تعرض الأشخاص لإصابة خطيرة.
2. معدات الوقاية الشخصية. احرص دائماً على ارتداء نظارات حماية العين. معدات الوقاية مثل كمامة الغبار أو أغطية السلامة غير القابلة للزلاق أو القفاز الصلبة أو أقيات السمع سنقلل من حدوث الإصابات الشخصية.
3. منع بدء التشغيل غير المقصود. تأكد من أن المفتاح في وضع إيقاف التشغيل قبل توصيل القابس بمصدر الطاقة و / أو تركيب حزمة البطارية، أو عند التقاط أو حمل الآلة. حمل الأدوات الكهربائية وإصبعك على المفتاح أو أدوات الإمداد الكهربائية التي تحتوي على مفتاح قد يسبب للحوادث.
4. أزل أي مفتاح ضبط أو مفتاح ربط قبل تشغيل الآلة الكهربائية. حيث إنه من المتوقع أن يتسبب ترك هذا المفتاح معلقاً بالجزء الدوار بالآلة في وقوع إصابات شخصية.
5. لا تمشي فوق الجهاز. وحرص على ثبات موطئ القدم والتوازن في جميع الأوقات. فيذلك يمكنك التحكم في الآلة الكهربائية بشكل أفضل في المواقف غير المتوقعة.
6. ارتداء الملابس بشكل صحيح. لا ترتدي ملابس فضفاضة أو مجوهرات. احرص على إبعاد شعرك وملابسك عن الأجزاء المتحركة. يمكن للملابس الفضفاضة أو المجوهرات أو الشعر الطويل أن يعلق في الأجزاء المتحركة.
7. إذا تم توفير أجهزة لتوصيل مرافق شفط وتجميع الغبار، فتأكد من توصيلها واستخدامها بشكل صحيح. استخدام أنظمة تجميع الغبار قد يقلل من المخاطر المرتبطة بالغبار.
8. لا تدع المعرفة المكتسبة من الاستخدام المتكرر للأدوات تشعرك بالرضا وتجاهل مبادئ أمان الآلة. الإهمال قد يتسبب في إصابة خطيرة في غمضة عين.

استخدام الأدوات الكهربائية والعناية بها

1. لا تجبر الآلة الكهربائية على القيام بمهام لم تصمم لتنفيذها. استخدم أداة الكهربائية المناسبة للمهمة. ستعجز الآلة الكهربائية العمل بشكل أفضل وأكثر أماناً بالمعدل الذي صممت من أجله.
2. لا تستخدم الآلة الكهربائية إذا كان المفتاح لا يقوم بتشغيلها وإيقاف تشغيلها. أي أداة كهربائية لا يمكن التحكم فيها باستخدام المفتاح تعتبر أداة خطيرة ويلزم إصلاحها.

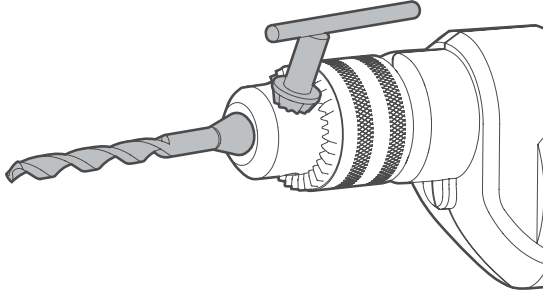


تحذير: اقرأ هذا الدليل بعناية قبل التشغيل.

الاستعمال: هذا المثقاب مناسب للاستخدام لربط وفك البراغي، وكذلك لحفر الخشب والمعدن والبلاستيك.

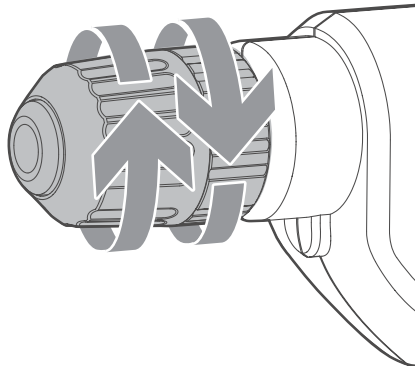
1 إدخال اللقمة/ البنية في قامط اللقم

أدخل اللقمة وأحكم ربط قامط اللقم ذو الـ 3 فتحات بالتساوي باستخدام مفتاح فتح قامط اللقم. (لقامطات اللقم المزودة بمفتاح فقط)



2 قامطات اللقم الغير مزودة بمفتاح

امسك حلقة المحور الخلفي لقامط اللقم الغير مزود بمفتاح ولف الحلقة الأمامية حتى يفتح قامط اللقم بمقدار كافٍ لإدخال اللقمة/ البنية. أدخل اللقمة/ البنية في قامط اللقم، وامسك حلقة المحور الخلفي ولف الحلقة الأمامية يدويًا حتى يتم إحكام ربطها. عندما يتم تدوير حلقة المحور الأمامي في الاتجاه المعاكس لإزالة اللقمة، يتم إطلاق آلية القفل تلقائيًا.

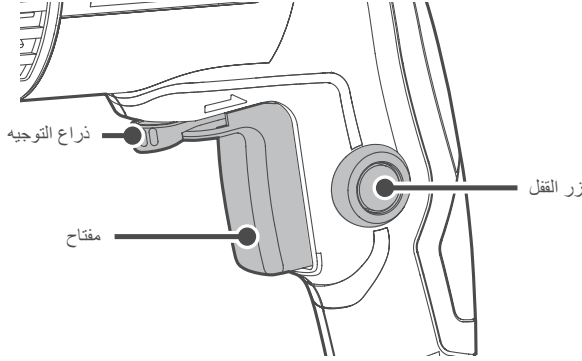


3 زر التشغيل/ الإيقاف

اضغط على زر التشغيل/ الإيقاف لبدء تشغيل المثقاب وحرره لإيقافه.
زر القفل

التشغيل: اضغط على التشغيل/ الإيقاف، ثم اضغط على زر القفل لتأمين الزر وبالتالي يمكن استخدام المثقاب بشكل مستمر.
إيقاف التشغيل: ببساطة، اضغط على زر التشغيل وأقلته لإيقاف المثقاب.
ذراع التوجيه

يشير الانتقال إلى اليمين لمقبض التوجيه إلى الدوران الأمامي، فيما يشير الانتقال إلى اليسار إلى الدوران العكسي. يُمنع تغيير اتجاه الدوران خلال تشغيل الأداة حتى يتم إيقافها تماماً.



4 مفتاح تحكم في مختلف السرعات

استخدم زر التشغيل للتسارع أو التباطؤ حسب نوع المادة والملحقات المستخدمة (يمكن القيام بذلك أيضاً أثناء التشغيل دون تحميل). يؤدي زيادة السرعة إلى تقليل العزم الدوراني والعكس بالعكس.

5 نصائح لعملية الحفر

يجب ضبط السرعة على الحد الأقصى وتشغيل الأداة الكهربائية دون تحميل لمدة 2-3 دقائق لتبريد المحرك، في حالة حدوث ارتفاع في درجة حرارتها.

ينبغي فقط استخدام لقم/ بنط من الصلب عالية السرعة وتكون في حالة جيدة أثناء الحفر في المعادن.

يجب استخدام جلبة الحفر المغناطيسية، أثناء استخدام لقمة مفك البراغي القصيرة.

يجب استخدام ثوب الإرشاد قدر الإمكان قبل حفر الثقوب ذات الأقطار الأكبر في المواد المعدنية.

تحذير! تأكد أولاً من سحب المقبس من مأخذ التيار الكهربائي قبل إجراء أي أعمال استبدال على الماكينة.



يمكن لهذه الداة الكهربائية الحفاظ على التشغيل العادي دون استخدام زيت التشحيم أو الصيانة الخاصة. يرجى إجراء صيانة بسيطة للمقناب وفقاً للمتطلبات التالية.

1. نظف الماكينة بقطعة قماش جافة بعد الاستخدام. تنبيه: لا تستخدم الماء ابداً أو مادة التنظيف الكيميائية لتنظيف الماكينة، حتى لا يؤثر استخدام مثل هذه المواد على أداء حاوية الماكينة أو تتسبب في تسرب كهربائي أو حوادث أخرى.
2. حافظ دائماً على نظافة مدخل هواء الموتور وعدم وجود عوائق لمنع تراكم الحطام عند مدخل الهواء والتأثير على تبريد الموتور.

بالإضافة إلى ذلك، حاول عدم استخدام الماكينة في بيئة متربة. يجب استبدال سلك الطاقة في حالة تلفه من قبل الشركة المصنعة أو مركز خدمة مُعتمد أو غيرهم من المهنيين المؤهلين وذلك تجنباً لوقوع أي خطر.

حماية البيئة

التخلص من النفايات

يجب تصنيف الآلات التالفة والملحقات و مواد التغليف بعناية لتسهيل عملية إعادة تدويرها حفاظاً على البيئة. لتسهيل عملية الفرز وإعادة التدوير، يتم وضع علامات على جميع الأجزاء البلاستيكية للإشارة إلى نوع المواد المستخدمة فيها.



بطاقة ضمان المنتج

أعزائي المستخدمين:

شكراً لاختياركم مُنتجنا. لضمان حصولكم على أقصى استفادة ممكنة، يمكن لعملائنا الاتصال بالوكيل المحلي أو بمحطات الصيانة المحددة عند حدوث أي عيوب في المنتج بسبب مشاكل في الجودة، وذلك باستخدام فاتورة الشراء و بطاقة الضمان.

إشعار الضمان:

1. من _____ (اليوم/ الشهر/ السنة) إلى _____ (اليوم/ الشهر/ السنة)، بالضمان رضاكم، ستقدم شركتنا ضماناً مجانياً واستبدال القطع وأعمال الصيانة الأخرى عند حدوث أي عطل أثناء الاستخدام العادي، وذلك بما يتناسب مع طبيعة العطل المحدد.
2. تعد بطاقة الضمان هذه وفاتورة الشراء إثباتاً لخدمة ما بعد البيع التي تقدمها شركتنا للعملاء. يمكن تقديم طلب الحصول على بطاقة الضمان من خلال ملء النموذج التالي ووضع الختم الرسمي من قبل الموزع.
3. لن يتم تقديم خدمات الصيانة مجاناً ويتوجب دفع رسومها كاملة في حالة وجود إحدى الحالات التالية:
 - (1) تجاوز تاريخ الانتهاء؛
 - (2) عطل أو تلف المنتج نتيجة عدم اتباع متطلبات دليل المنتج أو الصيانة أو التخزين الصحيح؛
 - (3) العطل أو التلف الناتج عن تفكيك أو إصلاح أو تعديل المنتج بدون إذن من شركتنا؛
 - (4) العطل أو التلف الناتج عن القوة القاهرة؛
 - (5) الملحقات الاستهلاكية.

يتم إصدار هذه البطاقة مع المنتج. يرجى الاحتفاظ بطاقة ضمان المنتج بشكل صحيح، حيث تضمن هذه البطاقة حق الاستفادة من الخدمة المجانية للضمان التي تقدمها الشركة، علماً بأنه لا يمكن استبدالها في حالة الفقد.

تاريخ الشراء: _____ (اليوم/ الشهر/ السنة)

بطاقة ضمان المنتج

المفتش:

01

تاريخ التصنيع:



NINGBO DELI TOOLS CO., LTD
No. 128 Chezhan West Road, Huangtan Town
Ninghai County, Ningbo, Zhejiang, China
delitoolsglobal@nbdeli.com
www.delitoolsglobal.com
86+ 574 87562689
صنع في الصين

ذه الاستمارة مُخصصة للاستخدام المستقبلي

إصدار: 1.0
التاريخ: يونيو 2022

